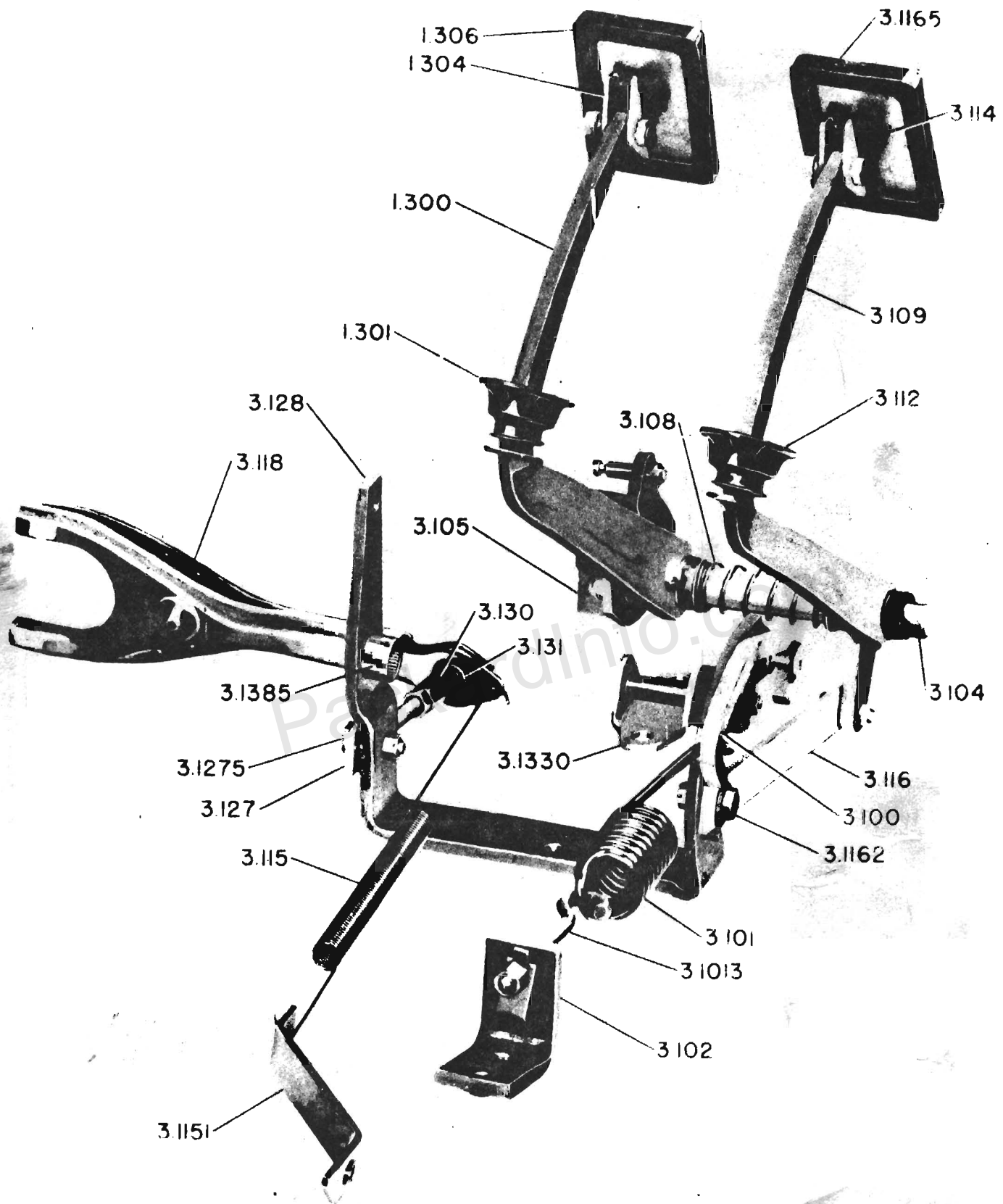


CLUTCH

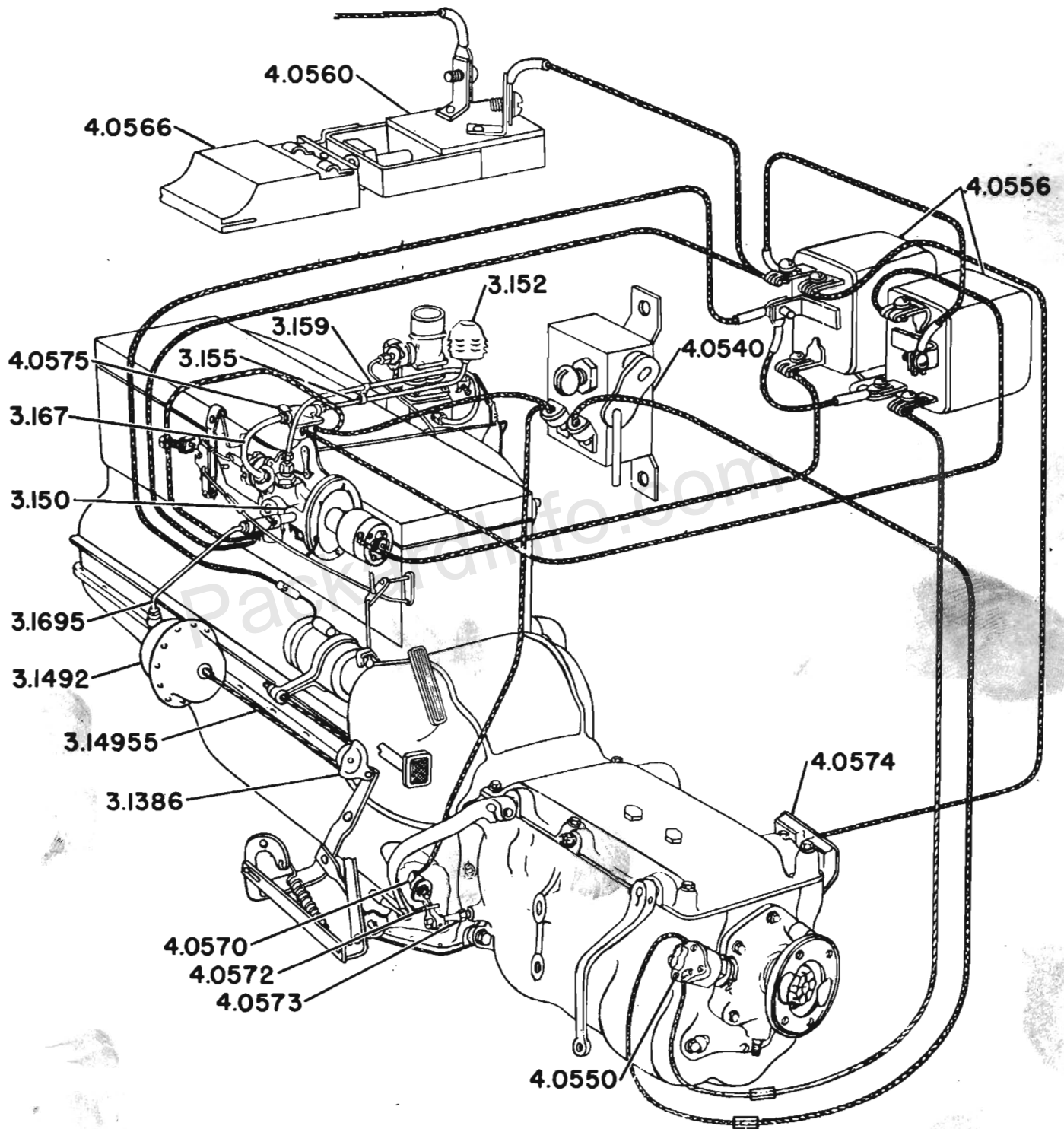


CLUTCH LINKAGE

CODE NO.	PART NO.	DESCRIPTION AND MODELS	PER CAR	CODE NO.	PART NO.	DESCRIPTION AND MODELS	PER CAR
CLUTCH ASSEMBLY				CLUTCH CONTROL—Continued			
▲ 3.000		PLATE ASSEMBLY - COVER (PRESSURE PLATE) Without suffix letter to engine number		3.102		BRACKET - PEDAL BOOSTER SPRING	
	315571	2000-10-2100	1	371357	2003-06-2103-06		1
	302464	used with Electromatic clutch, 2000-10-2100	1	387584	2126		1
		1951-2001-11-2101-11	1	7819	Screw 3/8-24 x 1 hex. hd. (50.003) 2003-06-2103-06-26		1
	371462	2003-06-2103-06-26	1	5506	Lockwasher 3/8 (50.220)		1
	371782	2130	1	7006	Nut 3/8-24 (50.100)		1
		With suffix letter "A" to engine number		3.103		LINK - PEDAL BOOSTER SPRING	
	395920	2100-01-11-30	1	367989	1951-2000-01-10-11-2100-01-11-30		1
		With suffix letter "B" to engine number		373867	2003-06-2103-06-26		1
	395921	2100-01-11-30	1	3.104		SHAFT - BRAKE PEDAL	
	395918	2103-06-26	1	371075	1951-2000-01-03-06-10-11-2100-01-03-06-11-26-30		1
	302440	Screw 5/16-18 x 1 hex. hd. (50.003) 1951-2000-01-03-06-10-11-2100-01-03-06-11-26-30	6	3.105		BRACKET - CLUTCH AND BRAKE PEDAL SHAFT	
	5504	Lockwasher 5/16 (50.220) 1951-2000-01-03-06-10-11-2100-01-03-06-11-26-30	6	371076	1951-2000-01-03-06-10-11-2100-01-03-06-11-26-30		1
▲ 3.005		PLATE AND HUB ASSEMBLY - DRIVEN		7818	Screw 3/8-24 x 7/8, (50.003) 1951-2000-01-03-06-10-11-2100-01-03-06-11-26-30		2
		Without suffix letter to engine number		5506	Lockwasher 3/8, (50.220) 1951-2000-01-03-06-10-11-2100-01-03-06-11-26-30		2
	373686	not used with Overdrive, 1951-2001-11-2101-11	1	7006	Nut 3/8-24, (50.100) 1951-2000-01-03-06-10-11-2100-01-03-06-11-26-30		2
		used with Electromatic clutch, 2000-10-11	1	3.106		LUBRICATOR CONNECTOR - CLUTCH AND BRAKE PEDAL SHAFT	
	373687	used with Overdrive, 1951-2001-11-2101-11	1	216548	1951-2000-01-03-06-10-11-2100-01-03-06-11-26-30		1
		used with Overdrive and Electromatic clutch, 2000-10-2100-01-11	1	3.107		RING - CLUTCH AND BRAKE PEDAL SHAFT RETAINING	
	371309	not used with Overdrive or Electromatic clutch, 2000-10-2100	1	324008	1951-2000-01-03-06-10-11-2100-01-03-06-11-26-30		1
	354195	used with Overdrive, 2000-10-2100	1	3.108		SPRING - CLUTCH AND BRAKE PEDAL SHAFT RETAINING	
	351829	2003-06-2103-06-26	1	371173	1951-2000-01-03-06-10-11-2100-01-03-06-11-26-30		1
	356935	2130	1	351098	Washer, 1951-2000-01-03-06-10-11-2100-01-03-06-11-26-30		3
		With suffix letter "A" to engine number		▲ 3.109		PEDAL	
	373686	2101-11-30	1	371051	1951-2000-01-10-11-2100-01-11-30		1
	373687	used with Overdrive and Electromatic clutch, 2100-01-11	1	377703	2003-06-2103-06		1
		used with Overdrive, 2101-11	1	387522	2126		1
	371309	2100	1	3.112		BOOT - PEDAL	
	354195	used with Overdrive, 2100	1	300915	1951-2000-01-03-06-10-11-2100-01-03-06-11-26-30		1
		With suffix letter "B" to engine number		▲ 3.1125		COVER ASSEMBLY - CLUTCH & BRAKE PEDAL	
	395922	2100-01-11-30	1	373153	1951-2000-01-03-06-10-11-2100-01-03-06-11-26-30		1
	395919	2103-06-26	1	6859	Screw #14 x 1/2, tapping, (50.300) 1951-2000-01-03-06-10-11-2100-01-03-06-11-26-30		4
				7319	Washer 1/4 (50.200)		4
CLUTCH CONTROL							
3.100		FULCRUM - PEDAL BOOSTER RELAY LEVER					
	373856	2003-06-2103-06-26	1				
3.101		SPRING - PEDAL BOOSTER					
	371378	1951-2000-01-10-11-2100-01-11-30	1				
	371356	2003-06-2103-06-26	1				
3.1013		EYE BOLT - BOOSTER SPRING					
	329898	2003-06-2103-06-26	1				
	329530	Nut 5/16-24, 2003-06-2103-06-26	1				
	329899	Lock plate, 2003-06-2103-06-26	1				

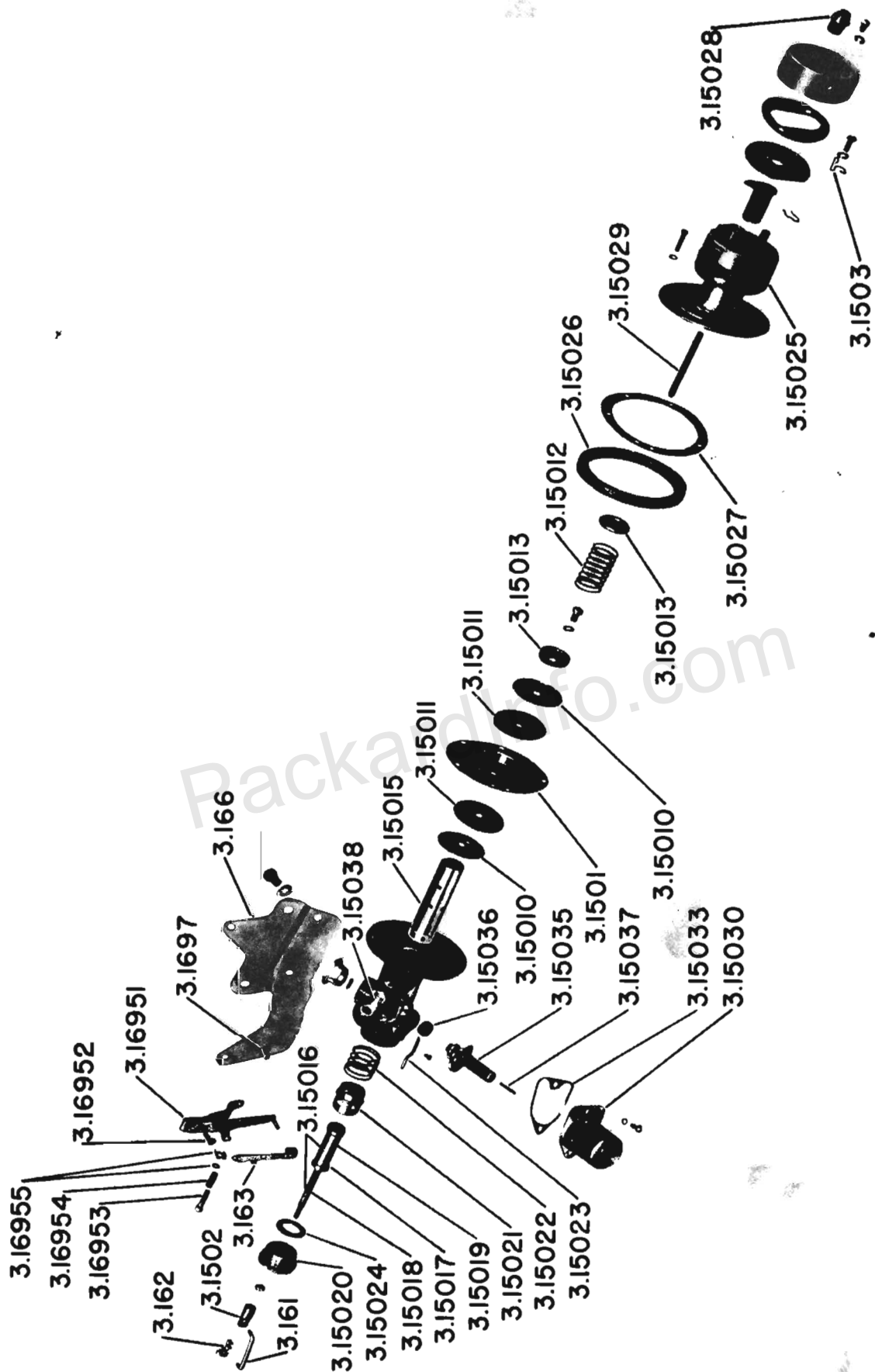
CODE NO.	PART NO.	DESCRIPTION AND MODELS	PER CAR
CLUTCH CONTROL—Continued			
▲ 3.1126	INSULATOR - CLUTCH & BRAKE PEDAL COVER		
373151	1951-2000-01-03-06-10-11-2100-01-03-06-11-26-30		1
▲ 3.114	PAD ASSEMBLY - PEDAL		
335927	1951-2000-01-03-06-10-11-2100-01-03-06-11-26-30		1
7861	Screw 5/16-24 x 1 hex. hd. (50.003) 1951-2000-01-03-06-10-11-2100-01-03-06-11-26-30		1
5504	Lockwasher 5/16 (50.220)		1
7005	Nut 5/16-24 (50.100)		1
▲ 3.115	SPRING - PEDAL RETRACTING		
377782	used with Electromatic clutch, 1951-2000-01-03-06-10-11-2100-01-03-06-11-26		1
335356	2003-06-2103-06-26		1
3.1151	BRACKET - CLUTCH PEDAL RETRACTING SPRING		
379192	2003-06-2103-06-26		1
3.116	LINK - PEDAL TO RELAY LEVER		
387540	1951-2000-01-03-06-10-11-2100-01-03-06-11-26-30		1
3.1162	BOLT - PEDAL TO RELAY LEVER LINK		
387541	1951-2000-01-03-06-10-11-2100-01-03-06-11-26-30		2
387541	used with Electromatic clutch, 1951-2000-01-03-06-10-11		1
387543	pedal end, used with Electromatic clutch, 1951-2000-01-03-06-10-11-2100-01-03-06-11-26		1
373298	Washer 13/32, pedal end, 1951-2000-01-03-06-10-11-2100-01-03-06-11-26-30		1
373298	Washer 13/32, relay end, 1951-2000-01-03-06-10-11-2100-01-03-06-11-26-30		2
7320	Washer 7/16, pedal end, used with Electromatic clutch, (50.200) 1951-2000-01-03-06-10-11-2100-01-03-06-11-26		1
371396	Spring washer, 1951-2000-01-03-06-10-11-2100-01-03-06-11-26-30		1
7105	Nut 5/16-24 (50.110) 1951-2000-01-03-06-10-11-2100-01-03-06-11-26-30		2
4280	Cotter pin 1/16 x 1/2 (50.240) 1951-2000-01-03-06-10-11-2100-01-03-06-11-26-30		2
3.1163	PIN - PEDAL TO RELAY LEVER LINK STOP		
332220	1951-2000-01-03-06-10-11-2100-01-03-06-11-26-30		1
3.1165	RUBBER - ELECTROMATIC CLUTCH PEDAL (RED)		
367315	1951-2000-01-03-06-10-11-2100-01-03-06-11-26		1

CODE NO.	PART NO.	DESCRIPTION AND MODELS	PER CAR
CLUTCH CONTROL—Continued			
3.1166	RUBBER SET - CLUTCH AND BRAKE PEDAL		
98766	1951-2000-01-03-06-10-11-2100-01-03-06-11-26-30		1
3.118	LEVER ASSEMBLY - THROWOUT		
302504	1951-2000-01-10-11-2100-01-11-30		1
371288	2003-06-2103-06-26		1
5806	Lockwasher 7/16, ball stud, (50.230) 1951-2000-01-10-11-2100-01-11-30		1
7007	Nut 7/16-20, ball stud, (50.100) 1951-2000-01-10-11-2100-01-11-30		1
3.120	BRACKET - THROWOUT LEVER PIVOT BEARING		
335052	2003-06-2103-06-26		1
7159	Nut 7/16-20, self-locking, (50.120) 2003-06-2103-06-26		1
3.1205	BEARING ROLLER - THROWOUT LEVER PIVOT		
329955	2003-06-2103-06-26		23
3.121	SLEEVE - THROWOUT LEVER PIVOT BEARING INNER		
335688	2003-06-2103-06-26		1
6269	Screw 3/8-24 x 2-1/4 hex. hd. (50.003) 2003-06-2103-06-26		1
6902	Nut 3/8-24, self-locking, 2003-06-2103-06-26		1
3.122	SLEEVE - THROWOUT LEVER PIVOT BEARING OUTER		
329956	2003-06-2103-06-26		1
3.123	SPACER - THROWOUT LEVER PIVOT BEARING ROLLER		
329957	2003-06-2103-06-26		2
3.124	THRUST WASHER - THROWOUT LEVER PIVOT BEARING		
329958	2003-06-2103-06-26		2
3.125	BOOT ASSEMBLY - THROWOUT LEVER		
316419	1951-2000-01-03-06-10-11-2100-01-03-06-11-26-30		1
6072	Rivet 9/64 x 9/16 oval head		1
3.127	ROD - THROWOUT LEVER TO RELAY LEVER		
387542	1951-2000-01-10-11-2100-01-11		1
373060	2003-06-2103-06-26		1
4289	Cotter pin 3/32 x 1/2 (50.240)		1
3.1275	BOLT - THROWOUT LEVER TO RELAY LEVER ROD		
387543	1951-2000-01-10-11-2100-01-11-30		1
373902	2003-06-2103-06-26		1
371396	Spring washer 7/16, 1951-2000-01-03-06-10-11-2100-01-03-06-11-26-30		2
373298	Washer 13/32 (50.200) 1951-2000-01-03-06-10-11-2100-01-03-06-11-26-30		2
7105	Nut 5/16-24 (50.110) 1951-2000-01-03-06-10-11-2100-01-03-06-11-26-30		1
4280	Cotter pin 1/16 x 1/2 (50.240)		1



ELECTROMATIC CLUTCH

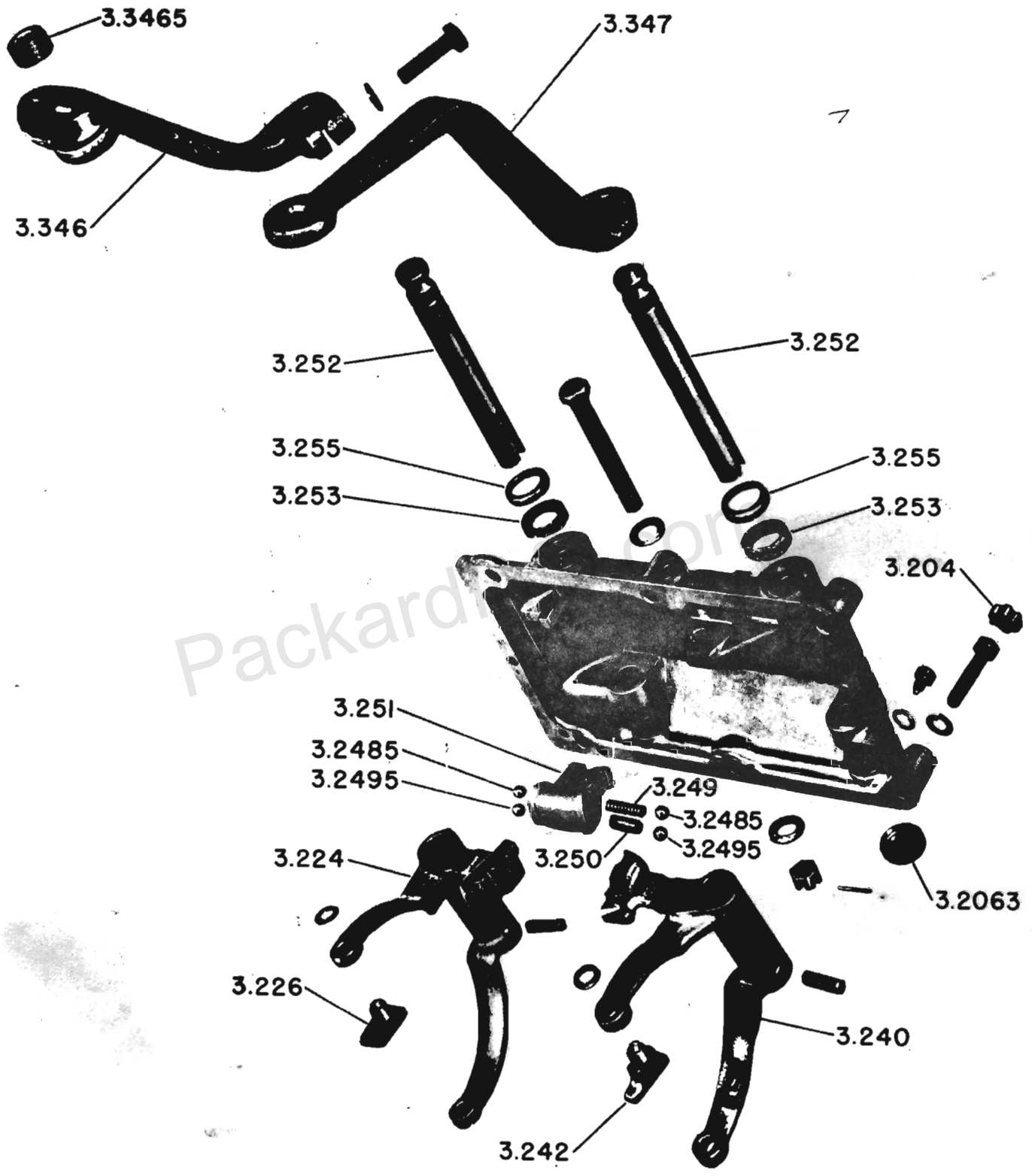
CODE NO.	PART NO.	DESCRIPTION AND MODELS	PER CAR	CODE NO.	PART NO.	DESCRIPTION AND MODELS	PER CAR
CLUTCH CONTROL—Continued				CLUTCH CONTROL—Continued			
3.1276		SPRING - THROWOUT LEVER TO RELAY LEVER		3.1386		PULLEY - ELECTROMATIC CLUTCH CONTROL RELAY LEVER	
371425		1951-2000-01-10-11-2100-01-11-30	1	373635		1951-2000-01-03-06-10-11-2100-01-03-06-11-26	1
3.128		LEVER ASSEMBLY - RELAY		3.1387		GUARD ASSEMBLY - ELECTROMATIC CLUTCH CONTROL RELAY LEVER PULLEY	
373563		1951-2000-01-10-11-2100-01-11-30	1	373630		1951-2000-01-03-06-10-11-2100-01-03-06-11-26	1
371367		2003-06-2103-06	1	373696		Bolt 5/16-24 x 1-1/8, special, 1951-2000-01-03-06-10-11-2100-01-03-06-11-26	1
387582		2126	1	7105		Nut 5/16-24 (50.100) 1951-2000-01-03-06-10-11-2100-01-03-06-11-26	1
3.130		ADJUSTING NUT - RELAY LEVER TO THROWOUT LEVER ROD		4280		Cotter pin 1/16 (50.240)	1
302481		1951-2000-01-10-11	1	3.13871		SPRING - ELECTROMATIC CLUTCH CONTROL RELAY LEVER PULLEY HOLD DOWN	
332242		2003-06-2103-06-26	1	377357		1951-2000-01-10-11-2100-01-11	1
7005		Lock nut 5/16-24, 2000-01-10-11-2100-01-11-30	1	379194		2003-06-2103-06-26	1
7006		Lock nut 3/8-24 (50.100) 2003-06-2103-06-26	1	3.1388		PIVOT ASSEMBLY - ELECTROMATIC CLUTCH CONTROL RELAY LEVER PULLEY	
3.131		SEAT - RELAY LEVER TO THROWOUT LEVER ROD ADJUSTING NUT		373640		1951-2000-01-03-06-10-11-2100-01-03-06-11-26	1
332241		2003-06-2103-06-26	1	4291		Cotter pin 3/32 x 3/4 (50.240)	1
3.1330		BRACKET ASSEMBLY - RELAY LEVER TO FRAME PIVOT		3.148		BEARING AND SLEEVE ASSEMBLY - CLUTCH THROWOUT	
371355		1951-2000-01-03-06-10-11-2100-01-03-06-11-30	1	341805		1951-2000-01-10-11-2100-01-11-30	1
387548		2126	1	335355		2003-06-2103-06-26	1
7387		Screw 3/8-24 x 7/8 hex. hd. (50.003) 1951-2000-01-03-06-10-11-2100-01-03-06-11-26-30	2	3.149		SPRING - CLUTCH THROWOUT BEARING SLEEVE RETRACTING	
5506		Lockwasher 3/8 (50.220) 1951-2000-01-03-06-10-11-2100-01-03-06-11-26-30	2	302404		1951-2000-01-03-06-10-11-2100-01-03-06-11-26-30	1
3.1375		PIVOT - RELAY LEVER TO FLYWHEEL HOUSING		7523		Retaining pin 3/16, 2003-06-2103-06-26	1
371373		2003-06-2103-06-26	1	3.1492		CYLINDER ASSEMBLY - ELECTROMATIC CLUTCH CONTROL VACUUM	
354616		1951-2000-01-10-11-2100-01-11-30	1	373932		used with Electromatic clutch, 1951-2000-01-03-06-10-11-2100-01-03-06-11-26	1
3.138		PIVOT - RELAY LEVER TO FRAME		3877		Washer 3/8, stud, (50.200) 1951-2000-01-03-06-10-11-2100-01-03-06-11-26	2
371234		1951-2000-01-03-06-10-11-2100-01-03-06-11-26-30	1	5506		Lockwasher 3/8, stud, (50.220) 1951-2000-01-03-06-10-11-2100-01-03-06-11-26	2
3.1385		BEARING - RELAY LEVER PIVOT		7006		Nut 3/8-24, stud, (50.100) 1951-2000-01-03-06-10-11-2100-01-03-06-11-26	2
354604		1951-2000-01-03-06-10-11-2100-01-03-06-11-26-30	2	3.1493		BRACKET - ELECTROMATIC CLUTCH CONTROL VACUUM CYLINDER	
5430		Screw 1/4-28 x 1/2 hex. hd. (50.003) 1951-2000-01-03-06-10-11-2100-01-03-06-11-26-30	1	373605		1951-2000-01-03-06-10-11-2100-01-03-06-11-26	1
354620		Washer 1/4 (50.200) 1951-2000-01-03-06-10-11-2100-01-03-06-11-26-30	2	7833		Screw 3/8-16 x 1, bracket to engine, (50.003)	2
354602		Washer 13/16, felt, (50.847) 1951-2000-01-03-06-10-11-2100-01-03-06-11-26-30	4	389945		Screw, bracket to engine top, 2100-01-03-06-11-26	1
5502		Lockwasher 1/4 (50.220) 1951-2000-01-03-06-10-11-2100-01-03-06-11-26-30	2	5506		Lockwasher 3/8, bracket to engine bottom screw (50.220) 2100-01-03-06-11-26	1



ELECTROMATIC CLUTCH VALVE

CODE NO.	PART NO.	DESCRIPTION AND MODELS	PER CAR
CLUTCH CONTROL—Continued			
3.14931		DIAPHRAGM - ELECTROMATIC CLUTCH CONTROL VACUUM CYLINDER	
394100		1951-2000-01-03-06-10-11-2100-01-03-06-11-26	1
3.14932		ELBOW - ELECTROMATIC CLUTCH CONTROL VACUUM CYLINDER INLET	
377563		1951-2000-01-03-06-10-11-2100-01-03-06-11-26	1
3.14955		CABLE ASSEMBLY - ELECTROMATIC CLUTCH CONTROL VACUUM CYLINDER TO RELAY LEVER	
373842		1951	1
377789		used with Delco equipment, 2000-10-2100	1
379061		used with Auto-Lite equipment, 2000-01-10-11-2100-01-11	1
377543		2003-06-2103-06-26	1
5504		Lockwasher 5/16 (50.220) 1951-2000-01-03-06-10-11-2100-01-03-06-11-26	1
6359		Washer 5/16 (50.200) 1951-2000-01-03-06-10-11-2100-01-03-06-11-26	2
7005		Nut 5/16-24 (50.100) 1951-2000-01-03-06-10-11-2100-01-03-06-11-26	2
7258		Lock nut 5/16-24 (50.100) 1951-2000-01-03-06-10-11	1
3.14956		BRACKET - ELECTROMATIC CLUTCH CONTROL VACUUM CYLINDER CABLE ANCHOR	
377792		2003-06-2103-06-26	1
377542		"U" bolt, 2003-06-2103-06-26	1
5502		Lockwasher 1/4 (50.220) 2003-06-2103-06-26	2
7004		Nut 1/4-28 (50.100) 2003-06-2103-06-26	2
3.14958		ANCHOR STRAP - ELECTROMATIC CLUTCH CONTROL VACUUM CYLINDER CABLE	
373618		1951-2000-01-10-11-2100-01-11	1
7828		Screw 5/16-24 x 1-1/8 (50.003) 1951-2000-01-10-11-2100-01-11	1
5504		Lockwasher 5/16 (50.220) 1951-2000-01-10-11-2100-01-11	1
6228		Washer 5/16 (50.220) 1951-2000-01-10-11-2100-01-11	1
7005		Nut 5/16-24 (50.100) 1951-2000-01-10-11-2100-01-11	1
3.150		VALVE, SUPPORT AND LEVERS ASSEMBLY - ELECTROMATIC CLUTCH CONTROL	
373945		1951	1
377794		2000-10	1
378114		2001-11	1
378100		2003-06	1
389955		2100	1
389956		2101-11	1
389957		2103-06-26	1

CODE NO.	PART NO.	DESCRIPTION AND MODELS	PER CAR
CLUTCH CONTROL—Continued			
3.1500		COVER - ELECTROMATIC CLUTCH CONTROL VALVE BODY	
394256		2100-01-03-06-11-26	1
7353		Screw #8-32 x 1/2 (50.004)	6
5695		Lockwasher #8 (50.220)	6
3.15002		GASKET - ELECTROMATIC CLUTCH CONTROL VALVE BODY COVER	
394259		2100-01-03-06-11-26	1
3.15006		GASKET - ELECTROMATIC CLUTCH CONTROL VALVE BODY SPACER	
394260		2100-01-03-06-11-26	1
3.15007		COVER - ELECTROMATIC CLUTCH CONTROL VALVE CYLINDER	
394254		2100-01-03-06-11-26	1
6348		Screw #8-32 x 7/16 (50.004)	3
5695		Lockwasher #8 (50.220)	3
3.15008		GASKET - ELECTROMATIC CLUTCH CONTROL VALVE CYLINDER COVER	
394253		2100-01-03-06-11-26	1
3.1501		DIAPHRAGM - ELECTROMATIC CLUTCH CONTROL VALVE	
394101		1951-2000-01-03-06-10-11	1
394241		2100-01-03-06-11-26	1
8413		Screw 1/4-28 x 7/16 (50.004) 1951-2000-01-03-06-10-11	1
5502		Lockwasher 1/4 (50.220) 1951-2000-01-03-06-10-11	1
3.15010		PLATE - ELECTROMATIC CLUTCH CONTROL VALVE DIAPHRAGM	
394102		1951-2000-01-03-06-10-11	2
3.15011		WASHER - ELECTROMATIC CLUTCH CONTROL VALVE DIAPHRAGM PLATE	
394103		1951-2000-01-03-06-10-11	2
3.15012		SPRING - ELECTROMATIC CLUTCH CONTROL VALVE DIAPHRAGM	
373915		1951-2001-03-06-11	1
378109		2000-10	1
394257		2100-01-03-06-11-26	1
3.15013		RETAINER - ELECTROMATIC CLUTCH CONTROL VALVE DIAPHRAGM SPRING	
394104		front, 1951-2000-01-03-06-10-11	1
394105		rear, 1951-2000-01-03-06-10-11	1
3.15015		SLEEVE ASSEMBLY - ELECTROMATIC CLUTCH CONTROL VALVE DIAPHRAGM	
394106		1951-2000-01-03-06-10-11	1



TRANSMISSION COVER

CODE NO.	PART NO.	DESCRIPTION AND MODELS	PER CAR	CODE NO.	PART NO.	DESCRIPTION AND MODELS	PER CAR
CLUTCH CONTROL—Continued				CLUTCH CONTROL—Continued			
3.15016		SPOOL AND ROD ASSEMBLY - ELECTROMATIC CLUTCH CONTROL VALVE		3.15026		SPACER - ELECTROMATIC CLUTCH CONTROL VALVE LOW AND REVERSE SOLENOID	
394107		1951-2000-01-03-06-10-11	1	394117		1951-2000-01-03-06-10-11	1
3.15017		SPOOL - ELECTROMATIC CLUTCH CONTROL VALVE		3.15027		GASKET - ELECTROMATIC CLUTCH CONTROL VALVE LOW AND REVERSE SOLENOID SPACER	
394108		1951-2000-01-03-06-10-11	1	394118		1951-2000-01-03-06-10-11	1
3.15018		ROD - ELECTROMATIC CLUTCH CONTROL VALVE SPOOL		3.15028		NUT - ELECTROMATIC CLUTCH CONTROL VALVE LOW AND REVERSE SOLENOID 2ND SPEED ADJUSTING	
394109		1951-2000-01-03-06-10-11	1	394119		1951-2000-01-03-06-10-11	1
3.15019		PIN - ELECTROMATIC CLUTCH CONTROL VALVE SPOOL ROD		3.15029		SCREW - ELECTROMATIC CLUTCH CONTROL VALVE LOW AND REVERSE SOLENOID ADJUSTING	
394110		1951-2000-01-03-06-10-11	1	394120		1951-2000-01-03-06-10-11	1
3.1502		ROD END - ELECTROMATIC CLUTCH CONTROL VALVE SPOOL		3.1503		LOCK SPRING - ELECTROMATIC CLUTCH CONTROL VALVE LOW AND REVERSE SOLENOID 2ND SPEED ADJUSTING NUT	
394111		1951-2000-01-03-06-10-11	1	394121		1951-2000-01-03-06-10-11	1
394129		Lock nut #12-24, 1951-2000-01-03-06-10-11	1				
3.15020		SEAL ASSEMBLY - ELECTROMATIC CLUTCH CONTROL VALVE BODY PLUG AND SPOOL ROD		3.15030		SOLENOID - ELECTROMATIC CLUTCH CONTROL VALVE DIRECT SPEED	
394112		1951-2000-01-03-06-10-11	1	373721		1951	1
3.15021		SLEEVE - ELECTROMATIC CLUTCH CONTROL VALVE CHOKE		382496		2000-01-03-06-10-11	1
394113		1951-2000-01-03-06-10-11	1	394240		2100-01-03-06-11-26	1
				8393		Screw #8-32 x 5/16 (50.004) 1951-2000-01-03-06-10-11	2
						2100-01-03-06-11-26	5
				5695		Lockwasher #8 (50.220) 1951-2000-01-03-06-10-11	2
						2100-01-03-06-11-26	5
3.15022		SPRING - ELECTROMATIC CLUTCH CONTROL VALVE CHOKE SLEEVE		3.15033		GASKET - ELECTROMATIC CLUTCH CONTROL VALVE DIRECT SPEED SOLENOID HOUSING	
394114		1951-2000-01-03-06-10-11	1	394122		1951-2000-01-03-06-10-11	1
				394250		2100-01-03-06-11-26	1
3.15023		SPRING - ELECTROMATIC CLUTCH CONTROL VALVE BODY PLUG LOCK		3.15035		PLUNGER ASSEMBLY - ELECTROMATIC CLUTCH CONTROL VALVE DIRECT SPEED SOLENOID VALVE	
394115		1951-2000-01-03-06-10-11	1	394123		1951-2000-01-03-06-10-11	1
8402		Screw #6-32 x 3/16 (50.004) 1951-2000-01-03-06-10-11	2	7350		Screw #6-32 x 1/4 (50.002) 1951-2000-01-03-06-10-11	2
3516		Lockwasher #6 (50.220) 1951-2000-01-03-06-10-11	2	394247		2100-01-03-06-11-26	1
				8474		Screw #4-40 x 5/16 (50.004) 2100-01-03-06-11-26	4
3.15024		SEAL - ELECTROMATIC CLUTCH CONTROL VALVE CHOKE SLEEVE		7153		Lockwasher #4 (50.220) 2100-01-03-06-11-26	4
394116		1951-2000-01-03-06-10-11	1				
3.15025		SOLENOID - ELECTROMATIC CLUTCH CONTROL VALVE LOW AND REVERSE		3.15036		DISC - ELECTROMATIC CLUTCH CONTROL VALVE DIRECT SPEED SOLENOID VALVE PLUNGER	
371185		1951-2000-01-03-06-10-11	1	394124		1951-2000-01-03-06-10-11	1
8414		Screw #8-32 x 3/4 (50.004) 1951-2000-01-03-06-10-11	5	394265		2100-01-03-06-11-26	1
5695		Lockwasher #8 (50.220) 1951-2000-01-03-06-10-11	5				

CODE NO.	PART NO.	DESCRIPTION AND MODELS	PER CAR	CODE NO.	PART NO.	DESCRIPTION AND MODELS	PER CAR
CLUTCH CONTROL—Continued				CLUTCH CONTROL—Continued			
3.15037		SPRING - ELECTROMATIC CLUTCH CONTROL VALVE DIRECT SPEED SOLENOID VALVE PLUNGER		3.15050		PIN - ELECTROMATIC CLUTCH CONTROL VALVE WALKING BEAM TO DIAPHRAGM SHAFT	
394125		1951-2000-01-03-06-10-11	1	394244		2100-01-03-06-11-26	1
394264		2100-01-03-06-11-26	1	394263		Retainer, 2100-01-03-06-11-26	1
3.15038		NIPPLE - ELECTROMATIC CLUTCH CONTROL VALVE TO VACUUM CYLINDER HOSE		394353		Washer, 2100-01-03-06-11-26	1
394126		1951-2000-01-03-06-10-11	1	3.15051		PIN - ELECTROMATIC CLUTCH CONTROL VALVE WALKING BEAM TO VALVE OPERATING ROD	
3.15040		ROD - ELECTROMATIC CLUTCH CONTROL VALVE OPERATING		394245		2100-01-03-06-11-26	1
394246		2100-01-03-06-11-26	1	394263		Retainer, 2100-01-03-06-11-26	1
3.15041		ADJUSTING SCREW - ELECTROMATIC CLUTCH CONTROL VALVE		3.152		AIR CLEANER - ELECTROMATIC CLUTCH CONTROL VALVE	
394258		2100-01-03-06-11-26	1	373227		1951-2000-01-03-06-10-11-2100-01-03-06-11- 26	1
3.15042		LOCK PLATE - ELECTROMATIC CLUTCH CONTROL VALVE OPERATING ROD ADJUSTING SCREW		3.153		HOSE - ELECTROMATIC CLUTCH CONTROL VALVE AIR CLEANER	
371049		2100-01-03-06-11-26	1	373165		1951-2000-01-03-06-10-11-2100-01-03-06-11- 26	1
3.15043		SPRING - ELECTROMATIC CLUTCH CONTROL VALVE OPERATING ROD ADJUSTING SCREW		237557		Hose clamp (50.675) 1951-2000-01-03-06- 10-11-2100-01-03-06-11-26	2
367478		2100-01-03-06-11-26	1	3.155		TUBE ASSEMBLY - ELECTROMATIC CLUTCH CONTROL VALVE AIR CLEANER TO TRANS. 2ND SPEED CHOKE VALVE & SOLENOID	
3.15044		ROD END - ELECTROMATIC CLUTCH CONTROL VALVE OPERATING		371712		1951-2000-01-10-11	1
394255		2100-01-03-06-11-26	1	378125		2003-06	1
3.15045		PISTON ASSEMBLY - ELECTROMATIC CLUTCH CONTROL VALVE		389954		2100-01-03-06-11-26	1
394249		2100-01-03-06-11-26	1	3.156		CLAMP - ELECTROMATIC CLUTCH CONTROL VALVE AIR CLEANER TUBE	
3.15046		PIN - ELECTROMATIC CLUTCH CONTROL VALVE PISTON LATCH TO WALKING BEAM		371737		1951-2000-01-03-06-10-11	1
394243		2100-01-03-06-11-26	1	5471		Screw 1/4-28 x 3/4 (50.003) 1951-2000- 01-03-06-10-11	1
394263		Retainer, 2100-01-03-06-11-26	1	7004		Nut 1/4-28 (50.100) 1951-2000-01-03-06- 10-11	1
3.15047		SPRING - ELECTROMATIC CLUTCH CONTROL PISTON		3.159		TUBE ASSEMBLY - ELECTROMATIC CLUTCH CONTROL VALVE TO MOTOR INTAKE MANIFOLD	
394251		2100-01-03-06-11-26	1	367528		1951-2001-11	1
3.15048		GASKET - ELECTROMATIC CLUTCH CONTROL VALVE SOLENOID PLUNGER TO VALVE BODY		367543		2000-10	1
394242		2100-01-03-06-11-26	1	378123		2003-06	1
3.15049		BEAM ASSEMBLY - ELECTROMATIC CLUTCH CONTROL VALVE WALKING		395103		2100	1
394242		2100-01-03-06-11-26	1	395104		2101-11	1
				389927		2103-06-26	1
				6259		Connector, 1/2 flared tube, 1951-2000- 01-03-06-10-11	2
						2100-01-03-06-11-26	1

CODE NO.	PART NO.	DESCRIPTION AND MODELS	PER CAR	CODE NO.	PART NO.	DESCRIPTION AND MODELS	PER CAR
CLUTCH CONTROL—Continued				CLUTCH CONTROL—Continued			
3.161		LINK - ELECTROMATIC CLUTCH CONTROL VALVE OPERATING		3.167		TUBE ASSEMBLY - ELECTROMATIC CLUTCH CONTROL VALVE TO TRANS. 2ND SPEED CHOKE VALVE AND SOLENOID	
	367277	1951-2000-01-03-06-10-11	1		371159	1951-2000-01-10-11	1
	389907	2100-01-03-06-11-26	1		378124	2003-06	1
	3906	Washer 3/16 (50.200)	1				
	4280	Cotter pin 1/16 (50.240)	1				
3.162		CLEVIS CLIP - ELECTROMATIC CLUTCH CONTROL VALVE OPERATING LINK		3.168		HOSE - ELECTROMATIC CLUTCH CONTROL VALVE TO VACUUM CYLINDER TUBE	
	338753	right, 1951-2000-01-03-06-10-11-2100-01-03-06-11-26	1		373165	1951-2000-01-03-06-10-11-2100-01-03-06-11-26	2
	338752	left, 2100-01-03-06-11-26	1		237557	Hose clamp (50.675) 1951-2000-01-03-06-10-11	4
						2100-01-03-06-11-26	2
3.163		LEVER - ELECTROMATIC CLUTCH CONTROL VALVE OPERATING LINK		3.1695		TUBE - ELECTROMATIC CLUTCH CONTROL VALVE TO VACUUM CYLINDER	
	367255	1951-2000-01-03-06-10-11	1		373744	1951	1
	389898	2100-01-03-06-11-26	1		378739	2000-10	1
	3906	Washer 3/16 (50.200) 1951-2000-01-03-06-10-11	1		379466	2001-11	1
	4280	Cotter pin 1/16 (50.240) 1951-2000-01-03-06-10-11-2100-01-03-06-11-26	1		378740	2003-06	1
					395102	2100	1
					395105	2101-11	1
					389928	2103-06-26	1
3.165		SPRING - ELECTROMATIC CLUTCH CONTROL VALVE OPERATING LINK LEVER		3.16950		ELBOW - ELECTROMATIC CLUTCH CONTROL VALVE TO VACUUM CYLINDER TUBE	
	394262	2100-01-03-06-11-26	1		389953	2100-01-03-06-11-26	1
3.166		SUPPORT PLATE ASSEMBLY - ELECTROMATIC CLUTCH CONTROL VALVE		3.16951		LEVER ASSEMBLY - ELECTROMATIC CLUTCH CONTROL THROTTLE OPERATING	
	367319	1951-2001-11	1		367797	2000-10	1
	367330	2000-10	1		367796	1951-2001-03-06-11	1
	367324	2003-06	1		389950	2100	1
	389942	2100	1		389900	2101-03-06-11-26	1
	389890	2101-11	1				
	389925	2103-06-26	1				
	7758	Screw 3/8-16 x 5/8 (50.003)					
		1951-2100-01-11	2				
		2000-01-10-11	4				
		2003-06	3				
		2103-06-26	1				
	7139	Screw 5/16 x 5/8, to valve (50.003)		3.16952		PIN - ELECTROMATIC CLUTCH CONTROL THROTTLE OPERATING LEVER ASSEMBLY	
		2100-01-03-06-11-26	2		371170	1951-2000-01-03-06-10-11	1
	6048	Lockwasher 3/8 internal (50.230)			389905	2100-01-03-06-11-26	1
		1951-2003-06-2100-01-11	2		4280	Cotter pin 1/16 (50.240)	1
		2000-01-10-11	4				
		2103-06-26	1				
	5506	Lockwasher 3/8 (50.220) 2003-06-2103-06-26	1	3.16953		ADJUSTING SCREW - ELECTROMATIC CLUTCH CONTROL THROTTLE OPERATING LEVER	
	5504	Lockwasher 5/16, to valve screw (50.220) 2100-01-03-06-11-26	2		371050	1951-2000-01-03-06-10-11-2100-01-03-06-11-26	1
3.1665		GASKET - ELECTROMATIC CLUTCH CONTROL VALVE TO SUPPORT PLATE		3.16954		SPRING - ELECTROMATIC CLUTCH CONTROL THROTTLE OPERATING LEVER ADJUSTING SCREW	
	389906	2100-01-03-06-11-26	1		367478	1951-2000-01-03-06-10-11-2100-01-03-06-11-26	1

CODE NO.	PART NO.	DESCRIPTION AND MODELS	PER CAR
CLUTCH CONTROL—Continued			
3.16955		LOCK PLATE - ELECTROMATIC CLUTCH CONTROL THROTTLE OPERATING LEVER ADJUSTING SCREW	
371039		lower, 2000-01-03-06-10-11-2100-01-03-06-11-26	1
371049		upper, 2000-01-03-06-10-11-2100-01-03-06-11-26	1
3.16956		LINK - ELECTROMATIC CLUTCH CONTROL THROTTLE OPERATING LEVER	
367254		1951-2001-11	1
367256		2000-10-2100	1
367262		2003-06	1
389904		2101-11	1
389926		2103-06-26	1
338753		Clevis clip, right, 1951-2001-03-06-11-2100	1
338752		Clevis clip, left, 2000-10-2100	2
3906		Washer 3/16 (50.200)	
		1951-2001-03-06-11	1
		2101-03-06-11-26	2
4280		Cotter pin 1/16 (50.240)	
		1951-2001-03-06-11	1
		2101-03-06-11-26	2
3.1697		STOP PIN - ELECTROMATIC CLUTCH CONTROL OPERATING LEVER	
367488		1951-2000-01-03-06-10-11	1

TRANSMISSION

3.200		TRANSMISSION ASSEMBLY	
901005		1951-2000-01-10-11-2100-01-11-30	1
901008		2003-06-2103-06	1
901075		2126	1
7879		Screw 1/2-13 x 1-1/2 hex. hd., to flywheel housing, (50.003) 1951-2000-01-03-06-10-11-2100-01-03-06-11-26-30	4
5510		Lockwasher 1/2 (50.220) 1951-2000-01-03-06-10-11-2100-01-03-06-11-26-30	4
▲ 3.201		TRANSMISSION AND OVERDRIVE ASSEMBLY	
901143		1951-2000-01-10-11-2100-01-11-30	1
901147		2003-06-2103-06-26	1
6987		Screw 1/2-13 x 1-7/8, to flywheel housing, (50.003) 1951-2000-01-03-06-10-11-2100-01-03-06-11-26	5
5510		Lockwasher 1/2 (50.220) 1951-2000-01-03-06-10-11-2100-01-03-06-11-26	5
3.202		CASE - TRANSMISSION	
367164		not used with Overdrive, 1951-2000-01-03-06-10-11-2100-01-03-06-11-26-30	1

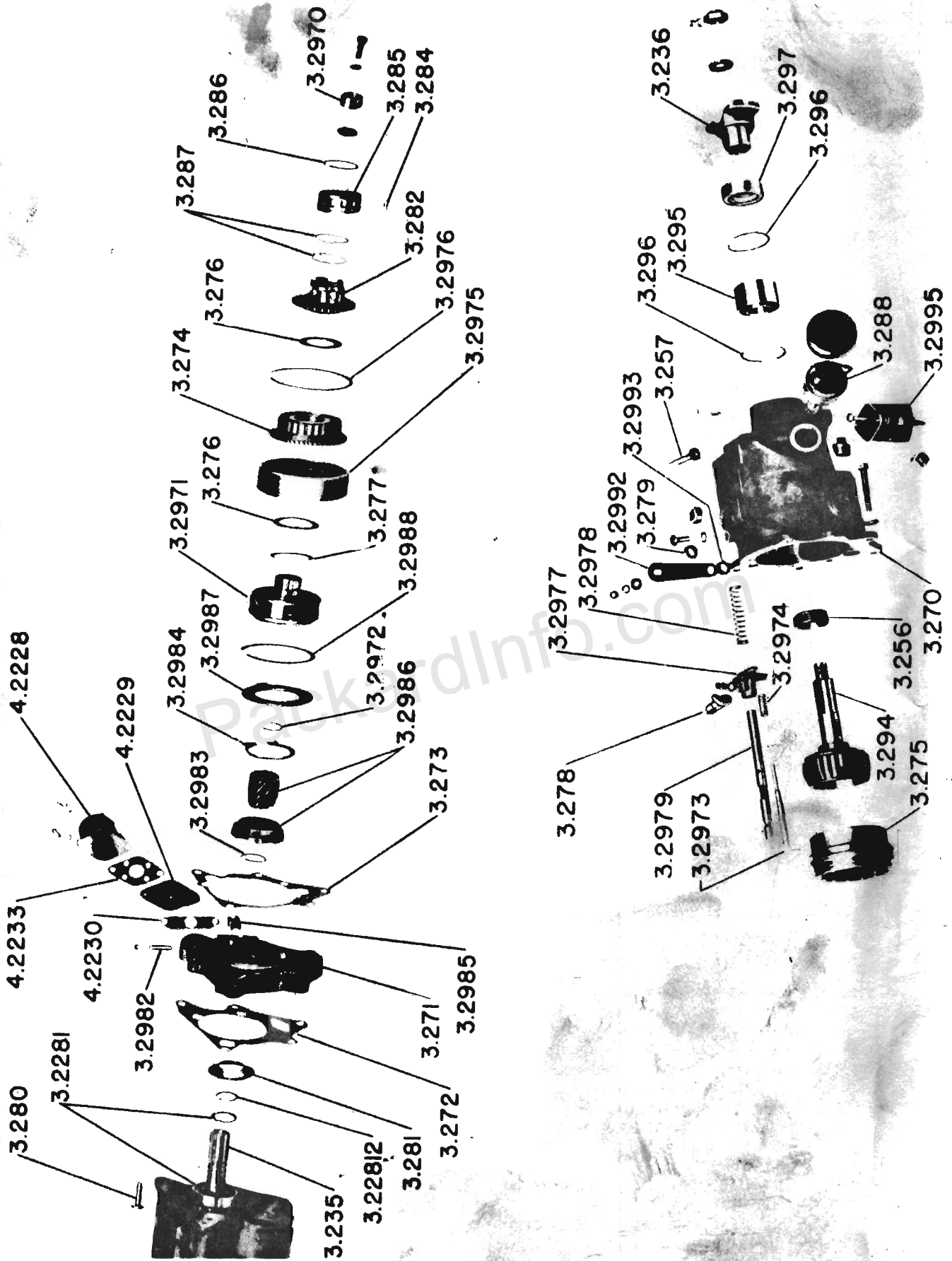
CODE NO.	PART NO.	DESCRIPTION AND MODELS	PER CAR
TRANSMISSION—Continued			
3.202		CASE - TRANSMISSION (Cont'd)	
367590		used with Overdrive, 1951-2000-01-03-06-10-11-2100-01-03-06-11-26	1
6099		Plug 1/2 sq. hd., oil hole, 1951-2000-01-03-06-10-11-2100-01-03-06-11-26-30	2
▲ 3.203		COVER ASSEMBLY	
384052		not used with Electromatic Clutch, 1951	1
		2000-01-03-06-10-11	1
387668		used with Electromatic Clutch, 1951	1
394351		used with Electromatic Clutch, 2000-01-03-06-10-11	1
384052		2100-01-03-06-11-26-30	1
335346		Screw 5/16-18 x 1-1/2, breather type, (50.003) 1951-2000-01-03-06-10-11-2100-01-03-06-11-26-30	1
7804		Screw 5/16-18 x 3/4 (50.003) 1951-2000-01-03-06-10-11-2100-01-03-06-11-26-30	3
7377		Screw 5/16-18 x 1-1/2 (50.003) 1951-2000-01-03-06-10-11-2100-01-03-06-11-26-30	2
5504		Lockwasher 5/16 (50.220) 1951-2000-01-03-06-10-11-2100-01-03-06-11-26-30	6
3.204		CAP - COVER BREATHER SCREW	
330347		1951-2000-01-03-06-10-11-2100-01-03-06-11-26-30	1
3.206		GASKET - COVER	
333629		1951-2000-01-03-06-10-11-2100-01-03-06-11-26-30	1
▲ 3.2063		PLUG - COVER SHIFTER FORK SHAFT HOLE (not used with Electromatic Clutch)	
335663		1951	2
		2000-01-03-06-10-11-2100-01-03-06-11-26-30	1
3.209		CLUTCH SHAFT	
335130		1951-2000-01-10-11-2100-01-11-30	1
373974		2003-06-2103-06-26	1
3.2091		BEARING AND RETAINING RING ASSEMBLY - CLUTCH SHAFT REAR	
304123		1951-2000-01-03-06-10-11-2100-01-03-06-11-26-30	1
3.2092		BEARING - CLUTCH SHAFT PILOT	
300228		1951-2000-01-10-11-2100-01-11-30	1
205454		2003-06-2103-06-26	1
3.210		COVER - CLUTCH SHAFT REAR BEARING	
338318		1951-2000-01-10-11-2100-01-11-30	1

CODE NO.	PART NO.	DESCRIPTION AND MODELS	PER CAR	CODE NO.	PART NO.	DESCRIPTION AND MODELS	PER CAR
TRANSMISSION—Continued				TRANSMISSION—Continued			
3.210		COVER - CLUTCH SHAFT REAR BEARING (Cont'd)		3.223		CLUTCH RING - DIRECT DRIVE AND SECOND SPEED	
333995	2003-06-2103-06-26	1	360326	1951-2000-01-03-06-10-11-2100-01-03-06-11-26-30	1
7804	Screw 5/16-18 x 3/4 hex. hd. (50.003)	6				
	1951-2000-01-03-06-10-11-2100-01-03-06-11-26-30	6	3.224		SHIFTER FORK AND SHOE ASSEMBLY - DIRECT DRIVE AND SECOND SPEED GEAR	
354310	Gasket, screw, (50.660)	1951-2000-01-03-06-10-11-2100-01-03-06-11-26-30	6	360431	1951-2000-01-03-06-10-11-2100-01-03-06-11-26-30	1
				360434	Pin 1/4 x 7/8, groove retaining, 1951-2000-01-03-06-10-11-2100-01-03-06-11-26-30	2
3.211		GASKET - CLUTCH SHAFT REAR BEARING COVER		3.226		SHOE - DIRECT DRIVE AND SECOND SPEED SHIFTER FORK	
300820	1951-2000-01-03-06-10-11-2100-01-03-06-11-26-30	1	333543	1951-2000-01-03-06-10-11-2100-01-03-06-11-26-30	2
				3868	Washer 1/4 (50.200)	2
3.212		RING - CLUTCH SHAFT REAR BEARING RETAINING		3.2281		BEARING ASSEMBLY - DRIVING SHAFT REAR	
300937	inner, 1951-2000-01-03-06-10-11-2100-01-03-06-11-26-30	1	403028	1951-2000-01-03-06-10-11-2100-01-03-06-11-30	1
300236	outer, 1951-2000-01-03-06-10-11-2100-01-03-06-11-26-30	1	304124	2126	1
				338730	used with overdrive, 1951-2000-01-03-06-10-11-2100-01-03-06-11-26	1
3.214		COUNTERSHAFT		338496	Washer 1-3/16, retaining, used with overdrive, 1951-2000-01-03-06-10-11-2100-01-03-06-11-26	1
333572	1951-2000-01-03-06-10-11-2100-01-03-06-11-26-30	1				
4551	Key #5, Woodruff, (50.845)	1	3.22811		RETAINING RING - DRIVING SHAFT REAR BEARING	
3.215		GEAR CLUSTER - COUNTERSHAFT		300237	1951-2000-01-03-06-10-11-2100-01-03-06-11-26-30	1
333809	1951-2000-01-03-06-10-11-2100-01-03-06-11-26-30	1	338472	thin, used with overdrive, 1951-2000-01-03-06-10-11-2100-01-03-06-11-26	x
				338473	medium, used with overdrive, 1951-2000-01-03-06-10-11-2100-01-03-06-11-26	x
3.2155		ROLLER - COUNTERSHAFT GEAR CLUSTER BEARING		338474	thick, used with overdrive, 1951-2000-01-03-06-10-11-2100-01-03-06-11-26	x
302578	1951-2000-01-03-06-10-11-2100-01-03-06-11-26-30	50	338475	extra thick, used with overdrive, 1951-2000-01-03-06-10-11-2100-01-03-06-11-26	x
3.216		RING - COUNTERSHAFT GEAR CLUSTER BEARING ROLLER		3.22812		SNAP RING - DRIVING SHAFT REAR BEARING	
302577	1951-2000-01-03-06-10-11-2100-01-03-06-11-26-30	2	371861	std., 1951-2000-01-03-06-10-11-2100-01-03-06-11-30	x
				371860	thin, 1951-2000-01-03-06-10-11-2100-01-03-06-11-30	x
3.217		SPACER - COUNTERSHAFT GEAR CLUSTER BEARING		371862	thick, 1951-2000-01-03-06-10-11-2100-01-03-06-11-30	x
303938	1951-2000-01-03-06-10-11-2100-01-03-06-11-26-30	1	371863	extra thick, 1951-2000-01-03-06-10-11-2100-01-03-06-11-30	x
				338458	thin, used with overdrive, 1951-2000-01-03-06-10-11-2100-01-03-06-11-26	x
3.218		END PLATE - COUNTERSHAFT GEAR CLUSTER		338459	medium, used with overdrive, 1951-2000-01-03-06-10-11-2100-01-03-06-11-26	x
300844	1951-2000-01-03-06-10-11-2100-01-03-06-11-26-30	2	338460	thick, used with overdrive, 1951-2000-01-03-06-10-11-2100-01-03-06-11-26	x
				338461	extra thick, used with overdrive, 1951-2000-01-03-06-10-11-2100-01-03-06-11-26	x
3.219		THRUST WASHER - COUNTERSHAFT GEAR CLUSTER					
333580	1951-2000-01-03-06-10-11-2100-01-03-06-11-26-30	2				
3.2191		SPRING - COUNTERSHAFT THRUST					
330087	1951-2000-01-03-06-10-11-2100-01-03-06-11-26-30	2				
3.2192		PLUG - COUNTERSHAFT THRUST SPRING					
367794	1951-2000-01-03-06-10-11-2100-01-03-06-11-26-30	2				
3.222		GEAR - DIRECT DRIVE AND SECOND SPEED CLUTCH					
360331	1951-2000-01-03-06-10-11-2100-01-03-06-11-26-30	1				

CODE NO.	PART NO.	DESCRIPTION AND MODELS	PER CAR
TRANSMISSION—Continued			
3.2282	BEARING - DRIVING SHAFT FRONT		
300290	1951-2000-01-03-06-10-11-2100-01-03-06-11-26-30		1
3.229	SPACER - DRIVING SHAFT FRONT BEARING		
300285	1951-2000-01-03-06-10-11-2100-01-03-06-11-26-30		1
3.230	COVER ASSEMBLY - DRIVING SHAFT REAR BEARING		
371765	1951-2000-01-03-06-10-11-2100-01-03-06-11-30		1
300954	Screw 3/8-16 x 2-1/8 hex. hd. (50.003) 1951-2000-01-03-06-10-11-2100-01-03-06-11-30		3
7088	Screw 3/8-16 x 1-3/8 hex. hd. (50.003) 1951-2000-01-03-06-10-11-2100-01-03-06-11-30		2
5506	Lockwasher 3/8 (50.220) 1951-2000-01-03-06-10-11-2100-01-03-06-11-30		5
3.2301	COVER - DRIVING SHAFT REAR BEARING		
367128	2126		1
300954	Screw 3/8-16 x 2-1/8 (50.003) 2126		3
7833	Screw 3/8-16 x 1 (50.003) 2126		2
5506	Lockwasher 3/8 (50.220) 2126		5
3.2305	DUST SHIELD - DRIVING SHAFT REAR BEARING COVER		
371767	1951-2000-01-03-06-10-11-2100-01-03-06-11-30		1
3.231	GASKET - DRIVING SHAFT BEARING REAR COVER		
367182	1951-2000-01-03-06-10-11-2100-01-03-06-11-26-30		1
3.2315	PLUG - DRIVING SHAFT REAR BEARING COVER		
367183	1951-2000-01-03-06-10-11-2100-01-03-06-11-26-30		1
20075	Gasket (50.660)		1
3.232	OIL SEAL ASSEMBLY - DRIVING SHAFT REAR BEARING COVER		
371876	1951-2000-01-03-06-10-11-2100-01-03-06-11-30		1
302591	2126		1
3.234	GEAR - DRIVING SHAFT FIRST SPEED CLUTCH AND REVERSE		
333813	1951-2000-01-03-06-10-11-2100-01-03-06-11-26-30		1
3.235	GEARS AND BEARING ASSEMBLY - DRIVING SHAFT, FIRST AND SECOND SPEED		
373002	not used with overdrive, 1951-2000-01-03-06-10-11-2100-01-03-06-11-30		1
347704	not used with overdrive, 2126		1
354954	used with overdrive, 1951-2000-01-10-11-2100-01-11		1

CODE NO.	PART NO.	DESCRIPTION AND MODELS	PER CAR
TRANSMISSION—Continued			
3.235	GEARS AND BEARING ASSEMBLY - DRIVING SHAFT, FIRST AND SECOND SPEED (Cont'd)		
354956	used with overdrive, 2003-06-2103-06-26		1
3.236	FLANGE - DRIVING SHAFT UNIVERSAL JOINT		
371814	not used with overdrive, 1951-2000-01-03-06-10-11-2100-01-03-06-11-30		1
302868	used with Mechanics Propeller shaft, used with overdrive, 1951-2000-01-03-06-10-11-2100-01-03-06-11-2126		1
355812	used with Universal Products propeller shaft, used with overdrive 2000-01-10-11		1
300910	Washer 3/4 (50.200) 1951-2000-01-03-06-10-11-2100-01-03-06-11-26-30		1
373443	Nut 3/4-16, self-locking, (50.120) 1951-2000-01-03-06-10-11-2100-01-03-06-11-26-30		1
3.2365	DUST SHIELD - UNIVERSAL JOINT FLANGE		
371815	1951-2000-01-03-06-10-11-2100-01-03-06-11-30		1
3.2366	PLUG - UNIVERSAL JOINT FLANGE		
371816	1951-2000-01-03-06-10-11-2100-01-03-06-11-30		1
3.240	SHIFTER FORK AND SHOE ASSEMBLY - 1ST SPEED AND REVERSE GEAR		
360437	1951-2000-01-03-06-10-11-2100-01-03-06-11-26-30		1
360434	Pin 1/4 x 7/8 groove retaining, 1951-2000-01-03-06-10-11-2100-01-03-06-11-26-30		2
3.242	SHOE - 1ST. SPEED AND REVERSE GEAR SHIFTER FORK		
333337	1951-2000-01-03-06-10-11-2100-01-03-06-11-26-30		2
3868	Washer 1/4 (50.200)		2
3.246	PINION ASSEMBLY - REVERSING		
333817	1951-2000-01-03-06-10-11-2100-01-03-06-11-26-30		1
3.248	SHAFT - REVERSING PINION		
333573	1951-2000-01-03-06-10-11-2100-01-03-06-11-26-30		1
7866	Screw 3/8-16 x 5/8, retaining, (50.003) 1951-2000-01-03-06-10-11-2100-01-03-06-11-26-30		1
5506	Lockwasher 3/8 (50.220) 1951-2000-01-03-06-10-11-2100-01-03-06-11-26-30		1
6748	Washer 3/8 (50.200) 1951-2000-01-03-06-10-11-2100-01-03-06-11-26-30		1
4551	Key #5, Woodruff, (50.845) 1951-2000-01-03-06-10-11-2100-01-03-06-11-26-30		1

CODE NO.	PART NO.	DESCRIPTION AND MODELS	PER CAR	CODE NO.	PART NO.	DESCRIPTION AND MODELS	PER CAR
TRANSMISSION—Continued				TRANSMISSION—Continued			
3.2485	BALL - SHIFTER FORKS DETENT			3.2565	SNAP RING - SPEEDOMETER DRIVING GEAR		
5079	1951-2000-01-03-06-10-11-2100-01-03-06-11-26-30		2		(Used Without Overdrive) (Cont'd)		
3.249	SPRING - SHIFTER FORKS DETENT BALL			371861	medium, 1951-2000-01-03-06-10-11-2100-01-03-06-11-30		x
360313	used without overdrive, 1951-2000-01-03-06-10-11-2100-01-03-06-11-26-30		1	371862	thick, 1951-2000-01-03-06-10-11-2100-01-03-06-11-30		x
360393	used with overdrive, 1951-2000-01-03-06-10-11-2100-01-03-06-11-26		1	371863	extra thick, 1951-2000-01-03-06-10-11-2100-01-03-06-11-30		x
3.2495	BALL - SHIFTER FORKS INTERLOCK			▲ 3.257	PINION AND SHAFT ASSEMBLY - SPEEDOMETER		
5079	1951-2000-01-03-06-10-11-2100-01-03-06-11-26-30		2	347537	19 teeth, 4.3 to 1 ratio, 1951-2000-01-10-11-2100-01-11		1
3.250	SPACER - SHIFTER FORKS INTERLOCK BALL			354976	17 teeth, 4.09 to 1 ratio, 1951-2003-06-2103-06-26		1
360415	1951-2000-01-03-06-10-11-2100-01-03-06-11-26-30		1	347536	18 teeth, 4.36 to 1 ratio, 1951-2003-06-2103-06-26		1
3.251	BRACKET - SHIFTER FORKS INTERLOCK			347537	19 teeth, 4.54 to 1 ratio, 1951-2130		1
384109	1951-2000-01-03-06-10-11-2100-01-03-06-11-26-30		1	347538	20 teeth, 4.55 to 1 ratio, 2000-10-2100		1
384105	Screw 3/8-24 x 2-15/16 hex. hd., 1951-2000-01-03-06-10-11-2100-01-03-06-11-26-30		1	347536	18 teeth, 4.1 to 1 ratio, 2001-11-2101-11		1
3877	Washer 3/8, inner, (50.209) 1951-2000-01-03-06-10-11-2100-01-03-06-11-26-30		1	354976	17 teeth, 3.92 to 1 ratio, 2103-06		1
360433	Washer 3/8, outer (50.200) 1951-2000-01-03-06-10-11-2100-01-03-06-11-26-30		1	3.260	BRAKE AND HOUSING ASSEMBLY - SYNCHRONIZER		
8030	Nut 3/8-24 (50.100) 1951-2000-01-03-06-10-11-2100-01-03-06-11-26-30		1	360327	1951-2000-01-03-06-10-11-2100-01-03-06-11-26-30		2
4290	Cotter pin 3/32 x 5/8 (50.240)		1	3.262	SPRING - SYNCHRONIZER BRAKE RETAINER		
▲ 3.252	SHAFT - SHIFTER FORKS			360324	1951-2000-01-03-06-10-11-2100-01-03-06-11-26-30		3
360435	1951-2000-01-03-06-10-11-2100-01-03-06-11-26-30		2	3.2625	PLUNGER - SYNCHRONIZER DETENT		
3.253	SEAL - SHIFTER FORK SHAFT			360300	plunger type, 1951-2000-01-03-06-10-11-2100-01-03-06-11-26-30		3
330095	1951-2000-01-03-06-10-11-2100-01-03-06-11-26-30		2	3.263	SPRING - SYNCHRONIZER DETENT		
3.255	RETAINER - SHIFTER FORK SHAFT SEAL			360463	1951-2000-01-03-06-10-11-2100-01-03-06-11-26-30		3
330096	1951-2000-01-03-06-10-11-2100-01-03-06-11-26-30		2	TRANSMISSION-OVERDRIVE			
3.256	GEAR - SPEEDOMETER DRIVING			3.270	CASE - OVERDRIVE		
371857	not used with overdrive, 1951-2000-01-03-06-10-11-2100-01-03-06-11-30		1	367002	1951-2000-01-10-11-2100-01-11		1
367114	not used with overdrive, 2126		1	367003	2003-06-2103-06-11-26		1
333426	used with overdrive, 1951-2000-01-03-06-10-11-2100-01-03-06-11-26		1	338278	Screw 3/8-16 x 2-1/2, drilled head, to trans. case, 1951-2000-01-03-06-10-11-2100-01-03-06-11-26		2
4551	Key #5, Woodruff, not used with overdrive, (50.845) 1951-2000-01-03-06-10-11-2100-01-03-06-11-30		1	6896	Screw 3/8-16 x 2, to trans. case, (50.003) 1951-2000-01-03-06-10-11-2100-01-03-06-11-26		2
3.2565	SNAP RING - SPEEDOMETER DRIVING GEAR			6641	Screw 3/8-16 x 2-1/2, to trans. case, (50.003) 1951-2000-01-03-06-10-11-2100-01-03-06-11-26		1
371860	thin, 1951-2000-01-03-06-10-11-2100-01-03-06-11-30		x	3877	Washer 3/8, to trans. case screw, (50.200) 1951-2000-01-03-06-10-11-2100-01-03-06-11-26		2
				5506	Lockwasher 3/8, to trans. case screw, (50.220) 1951-2000-01-03-06-10-11-2100-01-03-06-11-26		3

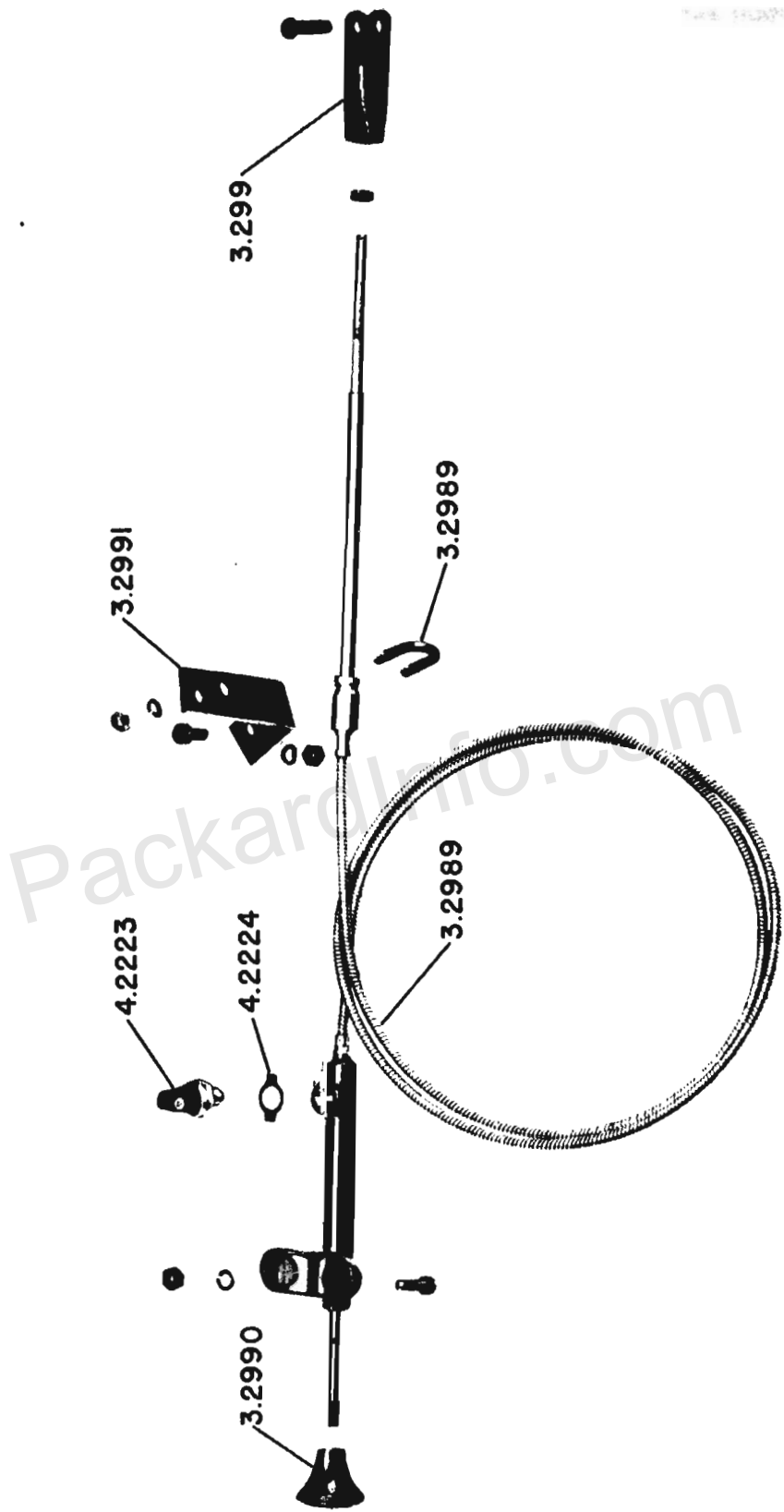


TRANSMISSION OVERDRIVE

CODE NO.	PART NO.	DESCRIPTION AND MODELS	PER CAR	CODE NO.	PART NO.	DESCRIPTION AND MODELS	PER CAR
TRANSMISSION-OVERDRIVE-Continued				TRANSMISSION-OVERDRIVE-Continued			
3.270		CASE - OVERDRIVE (Cont'd)		3.278		SHAFT - LOCKOUT CONTROL	
237673		Gasket, to trans. case drilled hd. screw, 1951-2000-01-03-06-10-11-2100-01-03-06-11-26	2	355030		1951-2000-01-03-06-10-11-2100-01-03-06-11-26	1
120813		Lockwire, to trans. case drilled hd. screw, 1951-2000-01-03-06-10-11-2100-01-03-06-11-26	1	338495		Screw 1/4-20 x 5/8, shaft retaining, 1951-2000-01-03-06-10-11-2100-01-03-06-11-26	1
7833		Screw 3/8-16 x 1, to adapter, (50.003) 1951-2000-01-03-06-10-11-2100-01-03-06-11-26	2	5502		Lockwasher 1/4, shaft retaining screw, 1951-2000-01-03-06-10-11-2100-01-03-06-11-26	1
5506		Lockwasher 3/8, to adapter screw, (50.220) 1951-2000-01-03-06-10-11-2100-01-03-06-11-26	2	3.279		OIL SEAL - LOCKOUT CONTROL SHAFT	
6099		Plug 1/2-14 sq. hd. pipe, oil level, (50.720) 1951-2000-01-03-06-10-11-2100-01-03-06-11-26	1	338448		1951-2000-01-03-06-10-11-2100-01-03-06-11-26	1
338522		Plug 3/4-14 headless pipe, top (50.720) 1951-2000-01-03-06-10-11-2100-01-03-06-11-26	1	3.280		PLUNGER - LOCKOUT	
338521		Plug 3/4-14 sq. hd. pipe, oil drain, (50.720) 1951-2000-01-03-06-10-11-2100-01-03-06-11-26	1	347609		1951-2000-01-03-06-10-11-2100-01-03-06-11-26	1
338826		Plug 11/16 welsh, shift rail hole, (50.810) 1951-2000-01-03-06-10-11-2100-01-03-06-11-26	1	3.281		BAFFLE - DRIVING SHAFT OIL	
^ 3.271		ADAPTER - OVERDRIVE		338491		1951-2000-01-03-06-10-11-2100-01-03-06-11-26	1
347550		1951-2000-01-03-06-10-11-2100-01-03-06-11-26	1	3.282		CAM AND BUSHING ASSEMBLY - FREE WHEEL	
3.272		GASKET - ADAPTER TO TRANSMISSION CASE		338855		1951-2000-01-10-11-2100-01-11	1
333694		1951-2000-01-03-06-10-11-2100-01-03-06-11-26	1	347590		2003-06-2103-06-26	1
^ 3.273		GASKET - OVERDRIVE CASE TO ADAPTER		3.283		RETAINER ASSEMBLY - FREE WHEELING CAM AND ROLLER	
347638		1951-2000-01-03-06-10-11-2100-01-03-06-11-26	1	338645		1951-2000-01-10-11-2100-01-11	1
3.274		HUB - CLUTCH		347589		2003-06-2103-06-26	1
347606		1951-2000-01-10-11	1	338524		Screw 3/8-24 x 1, cam retaining	1
347765		2003-06-2100-01-03-06-11-26	1	5506		Lockwasher 3/8 (50.220)	1
3.275		SLEEVE - OVERDRIVE CLUTCH		338502		Washer, retaining screw	1
347608		1951-2000-01-03-06-10-11-2100-01-03-06-11-26	1	3.284		ROLLER - FREE WHEEL	
3.276		THRUST WASHER - OVERDRIVE CLUTCH		338457		1951-2000-01-10-11-2100-01-11	12
362821		front, 1951-2000-01-03-06-10-11-2100-01-03-06-11-26	1	347579		2003-06-2103-06-26	12
347607		rear, 1951-2000-01-03-06-10-11-2100-01-03-06-11-26	1	3.285		RETAINER - FREE WHEEL ROLLER	
3.277		SPRING - OVERDRIVE CLUTCH FRONT THRUST WASHER		338487		1951-2000-01-10-11-2100-01-11	1
371251		1951-2000-01-03-06-10-11-2100-01-03-06-11-26	1	347580		2003-06-2103-06-26	1
				3.286		SNAP RING - FREE WHEEL ROLLER RETAINER	
				338485		1951-2000-01-03-06-10-11-2100-01-03-06-11-26	1
				3.287		SPRING - FREE WHEEL ROLLER RETAINER	
				338449		1951-2000-01-03-06-10-11-2100-01-03-06-11-26	2
				3.288		GOVERNOR ASSEMBLY	
				367335		1951-2000-01-03-06-10-11-2100-01-03-06-11-26	1
				3.289		PINION - GOVERNOR	
				347500		1951-2000-01-03-06-10-11-2100-01-03-06-11-26	1

CODE NO.	PART NO.	DESCRIPTION AND MODELS	PER CAR
TRANSMISSION-OVERDRIVE-Continued			
3.290	SLEEVE - GOVERNOR PINION		
347650	1951-2000-01-03-06-10-11-2100-01-03-06-11-26		1
3.291	SNAP RING - GOVERNOR PINION		
347532	1951-2000-01-03-06-10-11-2100-01-03-06-11-26		1
3.292	SWITCH AND COVER ASSEMBLY - GOVERNOR		
360458	1951-2000-01-03-06-10-11-2100-01-03-06-11-26		1
3.293	GASKET - GOVERNOR SWITCH AND COVER		
355034	1951-2000-01-03-06-10-11-2100-01-03-06-11-26		1
3.294	SHAFT ASSEMBLY - MAIN		
338494	1951-2000-01-10-11-2100-01-11		1
347577	2003-06-2103-06-26		1
3.295	BEARING - MAIN SHAFT		
347572	1951-2000-01-03-06-10-11-2100-01-03-06-11-26		1
3.296	SNAP RING - MAIN SHAFT BEARING		
347573	front, 1951-2000-01-03-06-10-11-2100-01-03-06-11-26		1
347574	thick, rear, 1951-2000-01-03-06-10-11-2100-01-03-06-11-26		x
347575	extra thick, rear, 1951-2000-01-03-06-10-11-2100-01-03-06-11-26		x
347573	thin, rear, 1951-2000-01-03-06-10-11-2100-01-03-06-11-26		x
347652	medium, rear, 1951-2000-01-03-06-10-11-2100-01-03-06-11-26		x
3.297	OIL SEAL - MAIN SHAFT		
333546	1951-2000-01-03-06-10-11-2100-01-03-06-11-26		1
3.2970	BUSHING - MAIN SHAFT PILOT		
338798	1951-2000-01-03-06-10-11-2100-01-03-06-11-26		1
3.2971	PINION AND CAGE ASSEMBLY		
338514	1951-2000-01-10-11-2100-01-11		1
347576	2003-06-2103-06-26		1
3.2972	SNAP RING - PINION CAGE RETAINING		
338456	1951-2000-01-03-06-10-11-2100-01-03-06-11-26		1
3.2973	PLUNGER - REVERSE LOCKOUT		
364986	1951-2000-01-03-06-10-11-2100-01-03-06-11-26		1
3.2974	SPRING - REVERSE LOCKOUT PLUNGER		
360410	1951-2000-01-03-06-10-11-2100-01-03-06-11-26		1

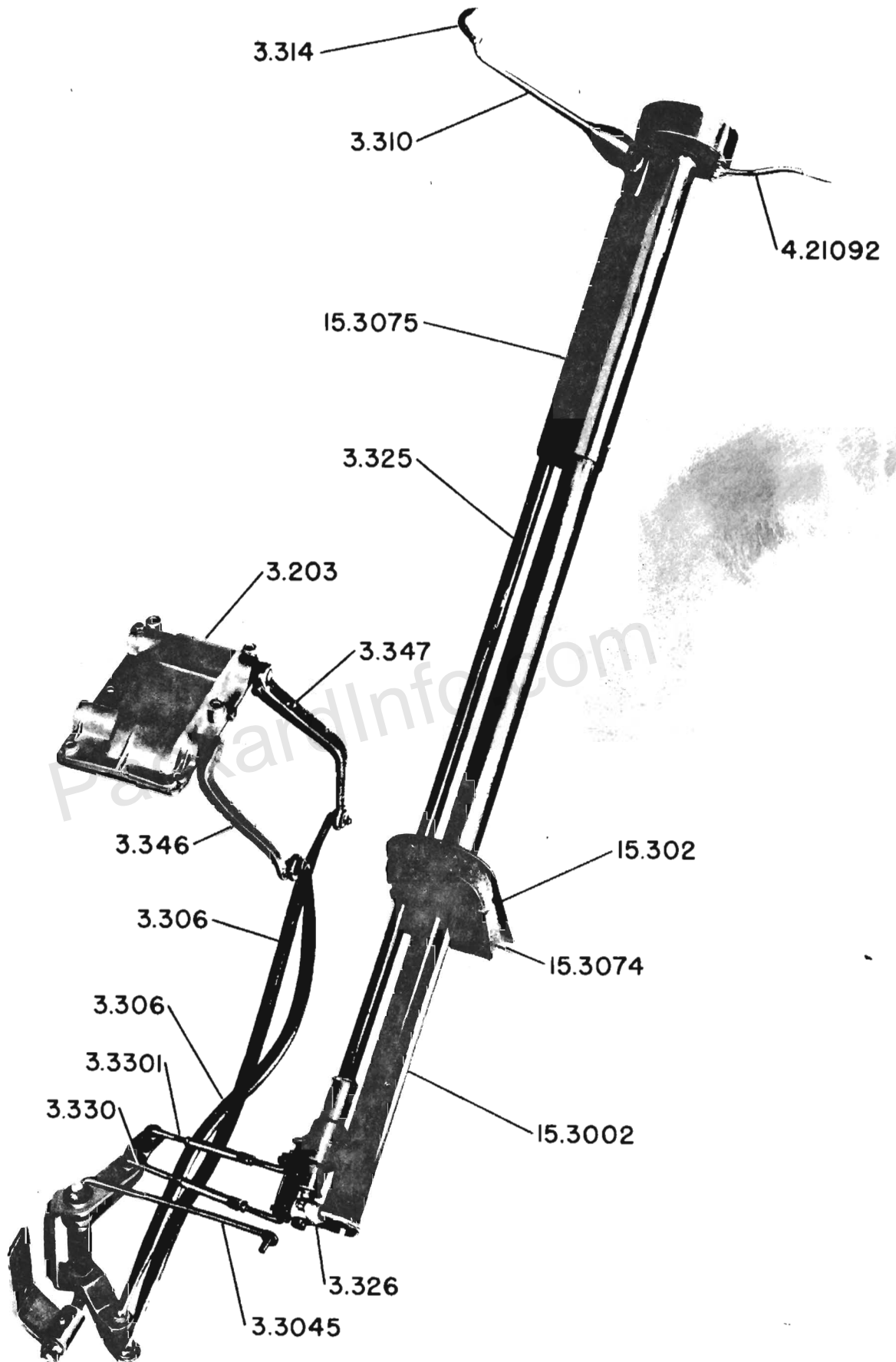
CODE NO.	PART NO.	DESCRIPTION AND MODELS	PER CAR
TRANSMISSION-OVERDRIVE-Continued			
3.2974	SPRING - REVERSE LOCKOUT PLUNGER (Cont'd)		
364987	Washer, 1951-2000-01-03-06-10-11-2100-01-03-06-11-26		1
3.2975	RING GEAR		
338511	1951-2000-01-03-06-10-11-2100-01-03-06-11-26		1
3.2976	SNAP RING - RING GEAR		
338481	medium, 1951-2000-01-03-06-10-11-2100-01-03-06-11-26		x
338480	thin, 1951-2000-01-03-06-10-11-2100-01-03-06-11-26		x
338482	thick, 1951-2000-01-03-06-10-11-2100-01-03-06-11-26		x
3.2977	FORK - SHIFT		
355029	1951-2000-01-03-06-10-11-2100-01-03-06-11-26		1
338465	Screw 5/16-24, 1951-2000-01-03-06-10-11-2100-01-03-06-11-26		1
7150	Lockwasher 5/16 (50.220) 1951-2000-01-03-06-10-11-2100-01-03-06-11-26		1
3.2978	SPRING - SHIFT FORK RETRACTOR		
347976	1951-2000-01-03-06-10-11-2100-01-03-06-11-26		1
3.2979	RAIL - SHIFT		
347975	1951-2000-01-03-06-10-11-2100-01-03-06-11-26		1
355185	Stop screw, 1951-2000-01-03-06-10-11-2100-01-03-06-11-26		1
5506	Lockwasher 1/4 (50.220) 1951-2000-01-03-06-10-11-2100-01-03-06-11-26		1
3.2982	PLUNGER - SHIFT RAIL INTERLOCK		
347745	1951-2000-01-03-06-10-11-2100-01-03-06-11-26		1
347733	Plug, drill hole, 1951-2000-01-03-06-10-11-2100-01-03-06-11-26		1
3.2983	SNAP RING - STATIONARY GEAR		
338451	1951-2000-01-03-06-10-11-2100-01-03-06-11-26		1
3.2984	RING - STATIONARY GEAR BALK		
367884	1951-2000-01-03-06-10-11-2100-01-03-06-11-26		1
3.2985	PAWL - STATIONARY GEAR		
347568	1951-2000-01-03-06-10-11-2100-01-03-06-11-26		1
3.2986	GEAR AND PLATE ASSEMBLY - STATIONARY		
371207	1951-2000-01-03-06-10-11-2100-01-03-06-11-26		1



TRANSMISSION OVERDRIVE LOCKOUT CABLE

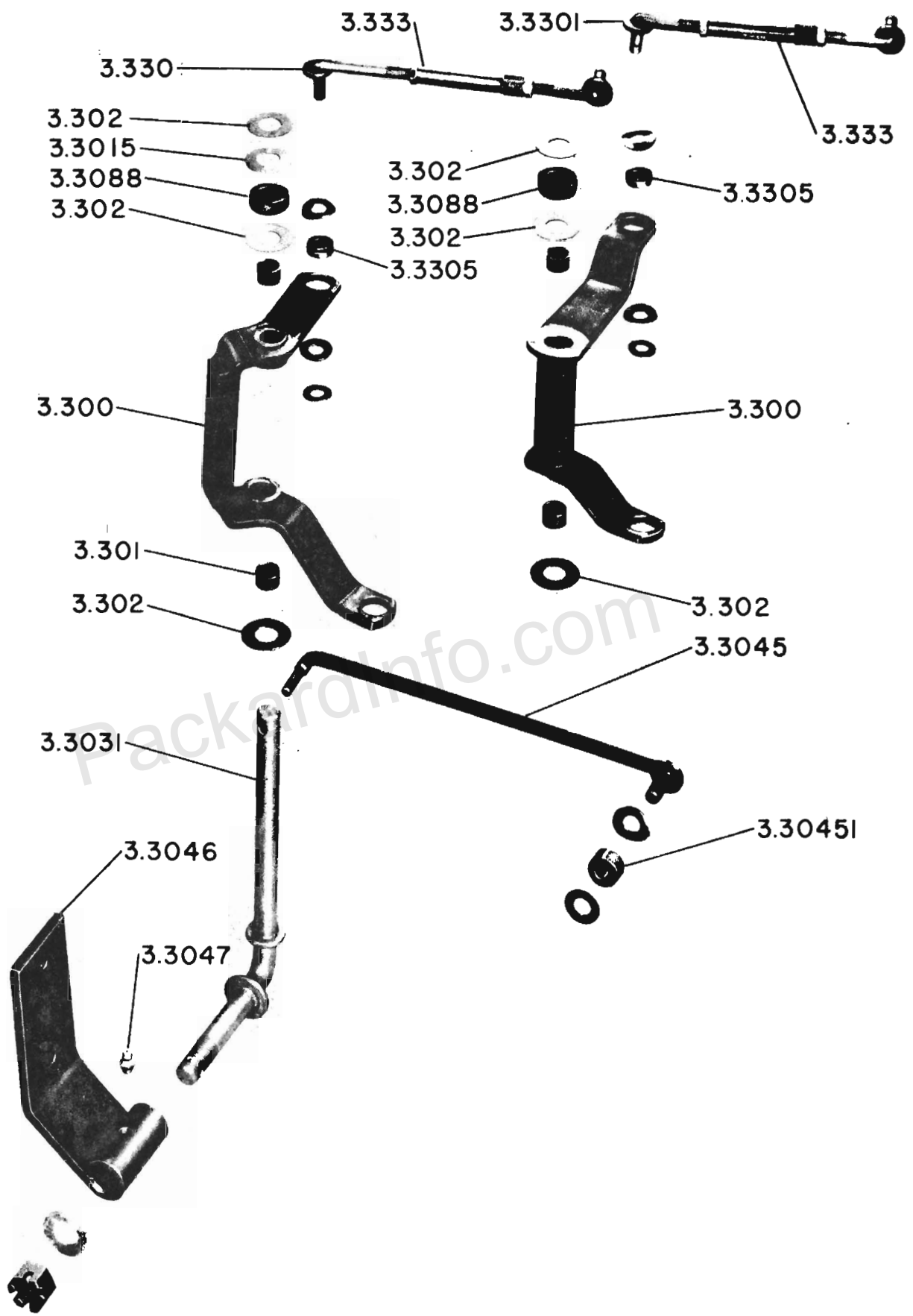
CODE NO.	PART NO.	DESCRIPTION AND MODELS	PER CAR
TRANSMISSION-OVERDRIVE-Continued			
3.2987		COVER - STATIONARY GEAR PLATE	
347639		1951-2000-01-03-06-10-11-2100-01-03-06-11-26	1
3.2988		SNAP RING - STATIONARY GEAR PLATE COVER	
338488		1951-2000-01-03-06-10-11-2100-01-03-06-11-26	1
3.2989		CABLE ASSEMBLY - LOCKOUT	
383475		1951-2000-01-03-06-10-11-2100-01-03-06-11-26	1
7700		Screw 1/4-28 x 5/8, to inst. board, (50.004) 1951-2000-01-03-06-10-11-2100-01-03-06-11-26	2
5502		Lockwasher 1/4, to inst. board, (50.220) 1951-2000-01-03-06-10-11-2100-01-03-06-11-26	2
7004		Nut 1/4-28, to inst. board screw, (50.100) 1951-2000-01-03-06-10-11-2100-01-03-06-11-26	2
302456		"U" bolt 1/4, to cable bracket, 1951-2000-01-03-06-10-11-2100-01-03-06-11-26	1
5502		Lockwasher 1/4, to cable bracket "U" bolt, (50.220) 1951-2000-01-03-06-10-11-2100-01-03-06-11-26	2
7004		Nut 1/4, to cable bracket "U" bolt, (50.100) 1951-2000-01-03-06-10-11-2100-01-03-06-11-26	2
3.299		YOKE END - LOCKOUT CABLE	
333722		1951-2000-01-03-06-10-11-2100-01-03-06-11-26	1
7004		Nut 1/4-28 (50.100) 1951-2000-01-03-06-10-11-2100-01-03-06-11-26	1
7525		Pin 5/16, clevis, (50.555) 1951-2000-01-03-06-10-11-2100-01-03-06-11-26	1
4290		Cotter pin 3/32 x 5/8, clevis pin, (50.240) 1951-2000-01-03-06-10-11-2100-01-03-06-11-26	1
3.2990		KNOB - LOCKOUT CABLE	
364926		1951-2000-01-03-06-10-11-2100-01-03-06-11-26	1
3.2991		BRACKET - LOCKOUT CABLE	
373740		1951-2000-01-03-06-10-11-2100-01-03-06-11-26	1
7249		Screw 1/4-28 x 3/4, to motor support rear channel bracket, (50.003) 1951-2000-01-03-06-10-11-2100-01-03-06-11-26	2
5502		Lockwasher 1/4, to motor support rear channel brkt. screw, (50.220) 1951-2000-01-03-06-10-11-2100-01-03-06-11-26	2

CODE NO.	PART NO.	DESCRIPTION AND MODELS	PER CAR
TRANSMISSION-OVERDRIVE-Continued			
3.2991		BRACKET - LOCKOUT CABLE (Cont'd)	
7004		Nut 1/4-28, to motor support rear channel brkt. screw, (50.100) 1951-2000-01-03-06-10-11-2100-01-03-06-11-26	2
3.2992		LEVER AND BUSHING ASSEMBLY - LOCKOUT CONTROL	
347571		1951-2000-01-03-06-10-11-2100-01-03-06-11-26	1
7150		Lockwasher 5/16 (50.220) 1951-2000-01-03-06-10-11-2100-01-03-06-11-26	1
6359		Washer 5/16 (50.200) 1951-2000-01-03-06-10-11-2100-01-03-06-11-26	1
7305		Nut 5/16-18 (50.100) 1951-2000-01-03-06-10-11-2100-01-03-06-11-26	1
3.2993		BUSHING - LOCKOUT CONTROL LEVER	
333146		1951-2000-01-03-06-10-11-2100-01-03-06-11-26	1
3.2994		SPACER - LOCKOUT CONTROL LEVER BUSHING	
333181		1951-2000-01-03-06-10-11-2100-01-03-06-11-26	1
3.2995		INSULATOR ASSEMBLY - SUPPORT	
333790		1951-2000-01-03-06-10-11-2100-01-03-06-11-26	1
7383		Bolt 5/16-24 x 1, to case, (50.003) 1951-2000-01-03-06-10-11-2100-01-03-06-11-26	2
5504		Lockwasher 5/16, to case bolt, (50.220) 1951-2000-01-03-06-10-11-2100-01-03-06-11-26	2
7005		Nut 5/16-24, to case bolt, (50.100) 1951-2000-01-03-06-10-11-2100-01-03-06-11-26	2
5506		Lockwasher 3/8, insulator to bracket stud, (50.220) 1951-2000-01-03-06-10-11-2100-01-03-06-11-26	1
126770		Washer 3/8, insulator to bracket stud, (50.200) 1951-2000-01-03-06-10-11-2100-01-03-06-11-26	1
7006		Nut 3/8-24, insulator to bracket stud, (50.100) 1951-2000-01-03-06-10-11-2100-01-03-06-11-26	1
3.2996		SHIM - SUPPORT INSULATOR	
335022		1951-2000-01-03-06-10-11-2100-01-03-06-11-26	x
3.2997		SPACER - SUPPORT INSULATOR	
335127		1951-2000-01-03-06-10-11-2100-01-03-06-11-26	1

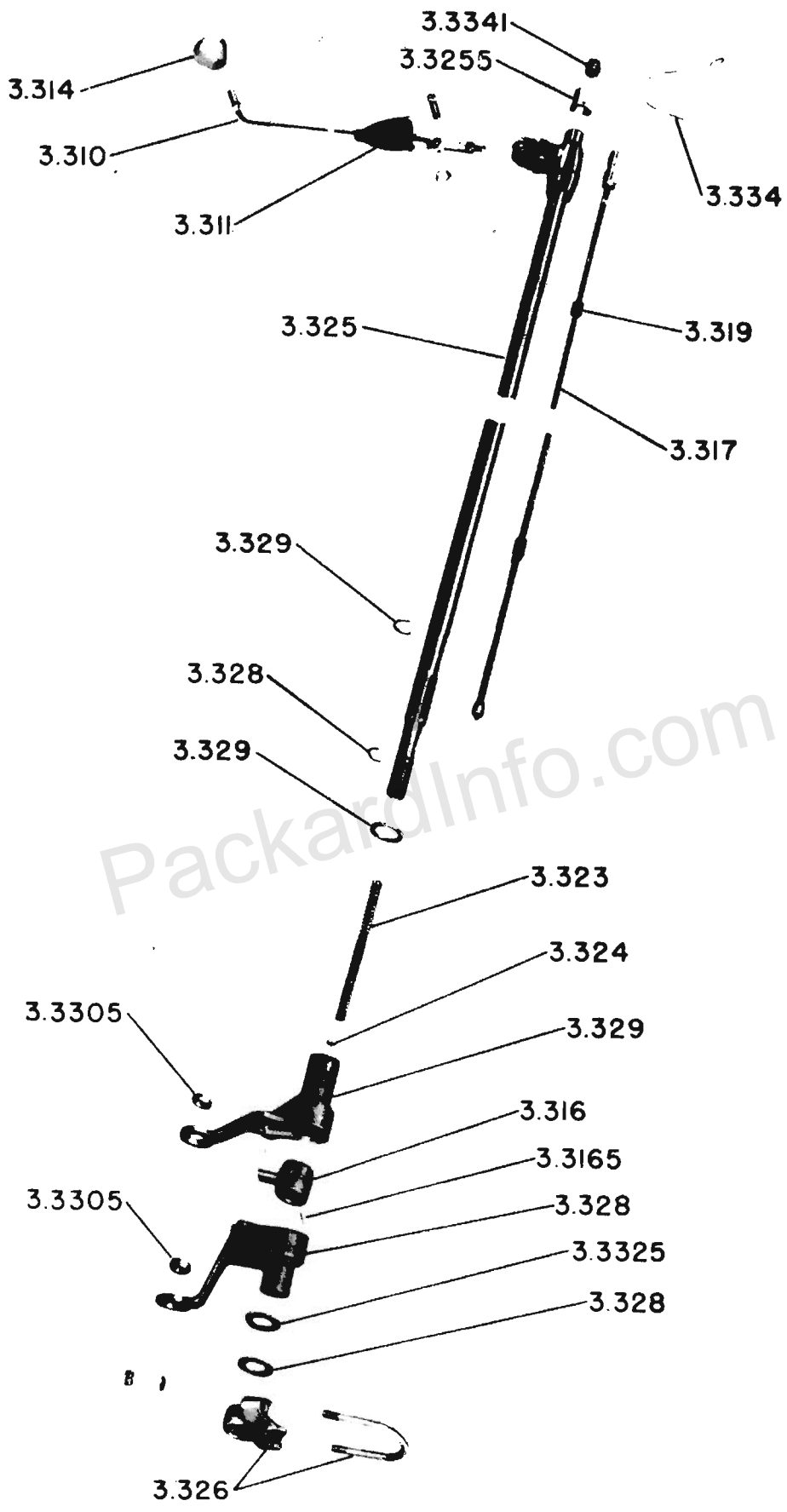


TRANSMISSION GEARSHIFT

CODE NO.	PART NO.	DESCRIPTION AND MODELS	PER CAR	CODE NO.	PART NO.	DESCRIPTION AND MODELS	PER CAR
TRANSMISSION GEARSHIFT				TRANSMISSION GEAR SHIFT—Continued			
▲ 3.300		LEVER ASSEMBLY - IDLER		▲ 3.3046		SUPPORT ASSEMBLY - IDLER LEVER SHAFT	
360365		direct & 2nd., 1951	1	387670		1951 - used when installing replacement engine or cylinder block	1
360364		direct & 2nd., 2000-01-03-06-10-11-2100-01-03-06-11-26-30	1	373364		1951-2000-01-03-06-10-11-2100-01-03-06-11-26-30	1
360357		first and reverse, 1951	1	7244		Screw 3/8-16 x 7/8, to cylinder, (50.003) 1951-2000-01-03-06-10-11-2100-01-03-06-11-26-30	2
360358		first & reverse, 2000-01-03-06-10-11-2100-01-03-06-11-26-30	1	5506		Lockwasher 3/8 (50.220) 1951-2000-01-03-06-10-11-2100-01-03-06-11-26-30	2
3.3001		KIT - IDLER LEVERS AND LINKAGE REPAIR		3.3047		LUBRICATION FITTING - IDLER LEVER SHAFT SUPPORT	
382837		1951	1	302739		1951-2000-01-03-06-10-11-2100-01-03-06-11-26-30	1
382838		2000-01-10-11-2100-01-11-30	1	▲ 3.306		ROD - IDLER LEVER TO TRANSMISSION	
382839		2003-06-2103-06-26	1	360362		direct & 2nd., 1951	1
3.3003		BEARING - IDLER LEVER		360363		direct & 2nd., 2000-01-10-11-2100-01-11-30	1
354080		direct & 2nd., 1951	2	360387		direct & 2nd., 2003-06-2103-06-26	1
3.301		BUSHING - IDLER LEVER		360359		first & reverse, 1951	1
335866		first & reverse, 1951-2000-01-03-06-10-11-2100-01-03-06-11-26-30	2	360360		first & reverse, 2000-01-10-11-2100-01-11-30	1
		direct & 2nd., 2000-01-03-06-10-11-2100-01-03-06-11-26-30	2	360381		first & reverse, 2003-06-2103-06-26	1
3.3015		SPACER - IDLER LEVER BEARING SEAL		360444		Washer 5/16, idler lever end, 1951	4
232160		1951	3	338405		Washer 5/16, trans. end, (50.200) 2000-01-03-06-10-11-2100-01-03-06-11-26-30	2
232159		2000-01-03-06-10-11-2100-01-03-06-11-26-30	1	3874		Washer 5/16, idler lever end, (50.200) 2000-01-03-06-10-11-2100-01-03-06-11-26-30	2
3.302		WASHER - IDLER LEVER FRICTION		338406		Spring washer 5/16 (50.242) trans. end, first & reverse, 1951-2000-01-03-06-10-11-2100-01-03-06-11-26-30	2
333761		1951-2000-01-03-06-10-11-2100-01-03-06-11-26-30	6			trans. end, direct & 2nd., 1951-2000-01-03-06-10-11-2100-01-03-06-11-26-30	1
▲ 3.3031		SHAFT - IDLER LEVER		4290		Cotter pin 3/32 x 5/8 (50.240) 1951-2000-01-03-06-10-11-2100-01-03-06-11-26-30	4
371572		1951	1	3.3065		BUSHING - IDLER LEVER TO TRANSMISSION ROD	
371532		2000-01-03-06-10-11-2100-01-03-06-11-26-30	1	360432		idler lever end, 1951-2100-01-03-06-11-26-30	2
3884		Washer 1/2 (50.200) 1951-2000-01-03-06-10-11-2100-01-03-06-11-26-30	1	3.3088		SEAL - IDLER LEVER BEARING	
7188		Nut 1/2-20 (50.100) 1951-2000-01-03-06-10-11-2100-01-03-06-11-26-30	1	373387		1951-2000-01-03-06-10-11-2100-01-03-06-11-26-30	2
4292		Cotter pin 3/32 x 7/8 (50.240) 1951-2000-01-03-06-10-11-2100-01-03-06-11-26-30	1	3.310		LEVER - GEARSHIFT	
▲ 3.3045		TIE ROD - IDLER LEVER SHAFT		373429		chrome, 1951-2000-01-03-06-10-11-2100-01-03-06-11-26-30	1
373454		1951-2000-01-10-11-2100-01-11-30	1	379866		paint, 2000-01-03-06-10-11	1
360386		2003-06-2103-06	1	7525		Pin 5/16 (50.555)	1
382987		2126	1	330344		Spring washer 5/16, pin, (50.242)	1
330344		Spring washer 5/16, case end, (50.242) 1951-2000-01-03-06-10-11-2100-01-03-06-11-26-30	1	4290		Cotter pin 3/32 x 5/8 (50.240)	1
338405		Washer 5/16, case end, (50.200) 2000-01-03-06-10-11-2100-01-03-06-11-26-30	1				
4290		Cotter pin 3/32 x 5/8, case end, (50.240)	1				
7191		Cotter pin 1/16 x 7/16, shaft end, (50.240)	1				
3.30451		BUSHING - IDLER LEVER SHAFT TIE ROD					
378276		1951-2000-01-03-06-10-11-2100-01-03-06-11-26-30	1				



TRANSMISSION GEARSHIFT IDLER LEVERS



TRANSMISSION GEARSHIFT SHAFT

CODE NO.	PART NO.	DESCRIPTION AND MODELS	PER CAR	CODE NO.	PART NO.	DESCRIPTION AND MODELS	PER CAR
TRANSMISSION GEAR SHIFT—Continued				TRANSMISSION GEAR SHIFT—Continued			
3.311	BOOT - LEVER			▲ 3.328	LEVER - SHAFT (1ST. AND REVERSE) (Cont'd)		
384778	1951-2000-01-03-06-10-11-2100-01-03-06-11-26-30		1	324007	Ring, retaining, 1951-2000-01-03-06-10-11-2100-01-03-06-11-26-30		1
3.314	KNOB - LEVER			▲ 3.329	LEVER - SHAFT (DIRECT AND 2ND.)		
373565	1951		1	360419	1951-2000-01-03-06-10-11-2100-01-03-06-11-26-30		1
377996	brown, 2000-01		1	371825	Washer 3/4, retaining, 1951-2000-01-03-06-10-11-2100-01-03-06-11-26-30		1
377982	gray, 2003-06		1	333171	Ring, retaining, 1951-2000-01-03-06-10-11-2100-01-03-06-11-26-30		1
378333	blue, 2010-11		1				
382320	2100-01-03-06-11-26-30		1	▲ 3.330	ROD - SHAFT LEVER 1ST. AND REVERSE TO IDLER LEVER		
3.316	SELECTOR			371546	idler lever end, 1951		1
333151	1951-2000-01-03-06-10-11-2100-01-03-06-11-26-30		1	360374	idler lever end, 2000-01-10-11-2100-01-11-30		1
3.3165	PIN - SELECTOR TO SELECTOR ROD			360377	idler lever end, 2003-06-2103-06		1
333154	1951-2000-01-03-06-10-11-2100-01-03-06-11-26-30		1	382991	idler lever end, 2126		1
▲ 3.317	ROD ASSEMBLY - SELECTOR			371521	steering gear end, 1951-2003-06-2103-06		1
373430	2000-01-10-11-2100-01-11-30		1	360372	steering gear end, 2000-01-10-11-2100-01-11-30		1
373431	1951-2003-06-2103-06-26		1	382992	steering gear end, 2126		1
3.319	BUMPER - SELECTOR ROD			338406	Spring washer 5/16 (50.242)		
341023	1951-2000-01-03-06-10-11-2100-01-03-06-11-26-30		3		idler lever end, 1951-2000-01-03-06-10-11-2100-01-03-06-11-26-30		2
3.323	SPRING - SELECTOR ROD				steering gear end, 1951-2000-01-03-06-10-11-2100-01-03-06-11-26-30		2
333201	1951-2000-01-03-06-10-11-2100-01-03-06-11-26-30		1	3874	Washer 5/16, idler lever end, (50.200)		1
3.324	RETAINER - SELECTOR ROD SPRING				1951-2000-01-03-06-10-11-2100-01-03-06-11-26-30		1
333204	1951-2000-01-03-06-10-11-2100-01-03-06-11-26-30		1	360444	Washer 5/16 (50.200)		
4306	Cotter pin 1/8 x 1 (50.240)		1		steering gear end, 1951-2000-01-03-06-10-11-2100-01-03-06-11-26-30		2
▲ 3.325	SHAFT AND HOUSING ASSEMBLY (PRIME)			4290	Cotter pin 3/32 x 5/8 (50.240)		
384785	2000-01-10-11-2100-01-11-30		1		idler lever end, 1951-2000-01-03-06-10-11-2100-01-03-06-11-26-30		1
412550	1951-2003-2103		1		steering gear end, 1951-2000-01-03-06-10-11-2100-01-03-06-11-26-30		1
412550	2006-2106-26		1	▲ 3.3301	ROD - SHAFT LEVER DIRECT AND 2ND. TO IDLER LEVER		
3.3255	BUSHING - SHAFT			371546	idler lever end, 1951		1
364522	1951-2000-01-03-06-10-11-2100-01-03-06-11-26-30		1	360370	idler lever end, 2000-01-10-11-2100-01-11-30		1
3.326	BRACKET - SHAFT			360390	idler lever end, 2003-06-2103-06-26		1
373457	1951-2000-01-03-06-10-11-2100-01-03-06-11-26-30		1	371521	steering gear end, 1951-2000-01-10-11-2100-01-11-30		1
333018	Clamp, 1951-2000-01-03-06-10-11-2100-01-03-06-11-26-30		1	360372	steering gear end, 2003-06-2103-06		1
5502	Lockwasher 1/4, clamp, (50.220)		2	382989	steering gear end, 2126		1
7004	Nut 1/4-28, clamp, (50.100)		2	338406	Spring washer 5/16 (50.242)		
▲ 3.328	LEVER - SHAFT (1ST. AND REVERSE)				idler lever end, 1951-2000-01-03-06-10-11-2100-01-03-06-11-26-30		2
360417	1951-2000-01-03-06-10-11-2100-01-03-06-11-26-30		1		steering gear end, 1951-2000-01-03-06-10-11-2100-01-03-06-11-26-30		2
309841	Washer 5/8, retaining, (50.200) 1951-2000-01-03-06-10-11-2100-01-03-06-11-26-30		1	3874	Washer 5/16, idler lever end, (50.200)		1

CODE NO.	PART NO.	DESCRIPTION AND MODELS	PER CAR
----------	----------	------------------------	---------

CODE NO.	PART NO.	DESCRIPTION AND MODELS	PER CAR
----------	----------	------------------------	---------

TRANSMISSION-OVERDRIVE-Continued

3,148 - CTDES-54 (LANCASTER^{PA})
T10 BRG

3.3301	ROD - SHAFT LEVER DIRECT AND 2ND. TO IDLER LEVER (Cont'd)		
360444	Washer 5/16 (50.200)		
	steering gear end, 1951-2000-01-03-06-10-11-2100-01-03-06-11-26-30	2	
4290	Cotter pin 3/32 x 5/8 (50.240)		
	idler lever end, 1951-2000-01-03-06-10-11-2100-01-03-06-11-26-30	1	
	steering gear end, 1951-2000-01-03-06-10-11-2100-01-03-06-11-26-30	1	
3.3305	BUSHING - SHAFT LEVERS TO IDLER LEVER ROD		
360432	idler lever end, 1951-2100-01-03-06-11-26-30	2	
360432	steering gear end, 1951-2000-01-03-06-10-11-2100-01-03-06-11-26-30	2	
3.3325	SHIM - SHAFT LEVER (1ST. AND REVERSE)		
371827	.005, 1951-2000-01-03-06-10-11-2100-01-03-06-11-26-30	x	
371826	.015, 1951-2000-01-03-06-10-11-2100-01-03-06-11-26-30	x	
371520	.035, 1951-2000-01-03-06-10-11-2100-01-03-06-11-26-30	x	
3.333	TURNBUCKLE - SHAFT LEVER TO IDLER LEVER ROD		
335512	1951-2000-01-03-06-10-11-2100-01-03-06-11-26-30	2	
335513	Lock nut 5/16-24, RH thread	2	
335514	Lock nut 5/16-24, LH thread	2	
3.334	SPRING - SHAFT ANTI-RATTLE		
364516	1951	1	
377870	2000-01-03-06-10-11-2100-01-03-06-11-26-30	1	
3.3341	PLUG - SHAFT ANTI-RATTLE SPRING		
338043	1951-2000-01-03-06-10-11-2100-01-03-06-11-26-30	1	
3.346	LEVER - DIRECT DRIVE AND 2ND. SPEED SHIFTER		
367539	with rubber bushing, 1951-2000-01-03-06-10-11-2100-01-03-06-11-26-30	1	
7828	Screw 5/16-24 x 1-1/8 hex. hd. (50.003)	1	
5504	Lockwasher 5/16 (50.220)	1	
3.3465	BUSHING - DIRECT DRIVE AND 2ND SPEED SHIFTER LEVER INSULATOR		
378276	1951-2000-01-03-06-10-11-2100-01-03-06-11-26-30	1	
3.347	LEVER - FIRST SPEED AND REVERSE SHIFTER		
341045	1951-2000-01-03-06-10-11-2100-01-03-06-11-26-30	1	
7828	Screw 5/16-24 x 1-1/8 hex. hd. (50.003)	1	
5504	Lockwasher 5/16 (50.220)	1	

partinfo.com